




2019 PRODUCT CATALOGUE



 facebook.com/SmProWheel

 twitter.com/smprowheels

 instagram.com/smprowheels



WWW.SMPRO.CO.UK

CONTENTS



4 FEATURES

5 COLOUR OPTIONS

6 COMPLETE WHEELS

Senior M/X Wheels	6-12
Junior M/X Wheels	13-18
Supermoto Wheels	19-25
Speedway & Flat Track Wheels	26
Café Racer & Electric Bike Wheels	27
Adventure Bike Wheels	28

29 RIMS

Custom Rim Colours	29
Replacement Rims	30

32 HUBS

Standard Front Hub Replacement Parts	32-33
Standard Rear Hub Replacement Parts	34-35
Front Twin Disc Hub Replacement Parts	36
Cush Drive Rear Hub Replacement Parts	37

38 SPOKES

OEM Spoke Fitments	38-40
SMPPro Spoke Fitments	41-43

44 BRAKE DISCS

SMPPro Brake Discs	44-45
SMPPro Disc Guard Spacers	46-47
Supermoto Discs	48

49 TUBELESS SYSTEMS

CWC Airtight System	49
BartTubeless System	50
NueTech Tubliss System	51
NueTech Nitromousse	52

53 TYRES

Dunlop	53
Pirelli	54
Mitas	55
Accessories	56-57

58 CONTACT

FEATURES



SMPro PLATINUM RIM

Made from 7050- T6 aluminium. The strongest, lightest rim on the market.

BULLDOG SPOKES

Extra strong, high tensile stainless steel spokes.



SMPro HUBS

Machined from billet aluminium come complete with bearings, seals and spacers.

ASSEMBLY

All wheels are assembled by hand by our skilled technicians.

NIPPLES

SMPro Platinum wheels are built with coloured aluminium nipples to give the lightest combination, or alternatively can be built with nickel plated steel nipples for a more affordable option.

WHEEL PART NUMBERS

A wheel is comprised of a combination of part numbers which is formatted as follows:

Hub Part Number. **Hub Colour**. Rim Size. **Rim Colour**. **Nipple Colour**.

So for example the front wheel above would be: **SP185. 04. 80. 01. 04.**

M/X & Adventure	Junior MX	Supersmoto	Junior Supersmoto	Speedway & Grasstrack	Flat Track & Café Racer
80 / 21x1.60	60 / 19x1.60	12 / 16x3.50	92 / 12x2.15	91 / 23x1.60	81 / 19x2.15
81 / 19x2.15	61 / 16x1.85	70 / 16.5x3.50	93 / 12x2.50	81 / 19x2.15	45 / 19x2.50
82 / 19x1.85	62 / 17x1.40	71 / 17x3.50	23 / 17x2.50	57 / 22x1.85	46 / 19x3.00
84 / 18x2.15	63 / 14x1.60	72 / 17x4.25	24 / 17x3.00	56 / 22x1.60	47 / 19x3.50
85 / 18x1.85	64 / 12x1.60	73 / 17x5.00	71 / 17x3.50		34 / 18x2.50
51 / 21x2.15	65 / 10x1.60	28 / 17x5.50			35 / 18x3.00
83 / 21x1.85					36 / 18x3.50
45 / 19x2.50					23 / 17x2.50
37 / 18x4.25					24 / 17x3.00
28 / 17x5.50					71 / 17x3.50

COLOUR OPTIONS AVAILABLE



At SMPPro we believe in the philosophy of your wheels, your way so have numerous colour options to allow you to create wheels to your own personal choice – add any of these colour codes onto your hub, rim, nipple or spoke as previously explained on page 4 wheel part numbers.

HUBS

All stock hub colours are shown in this brochure in gloss according to which model you have. Alternative colours are available as per the colour chart below (at an extra cost).

RIMS

Senior M/X rims are stocked in Matte Silver, Black

and Gold or Gloss Black and Gold, alternative colours can be supplied to order as per the colour chart below (Surcharges apply). Junior M/X and Supermoto Rims are stocked in Gloss Silver, Black and Gold, likewise alternative colours can be supplied to order (Surcharges apply).

NIPPLES

Alloy nipples are available in gloss colours only 00-08 and 11 from the colour chart below.

SPOKES

Chemically blackened spokes are Matte Black but all other powdercoated coloured spokes will be Gloss finish as per the colour chart below.

GLOSS



00 Gloss Silver	01 Gloss Black	02 Gloss Gold	03 Gloss Red	04 Gloss Blue	05 Gloss Green
-----------------------	----------------------	---------------------	--------------------	---------------------	----------------------



06 Gloss Orange	07 Gloss Yellow	08 Gloss Purple	09 Gloss Magnesium	10 Gloss Titanium	11 Gloss Pink
-----------------------	-----------------------	-----------------------	--------------------------	-------------------------	---------------------

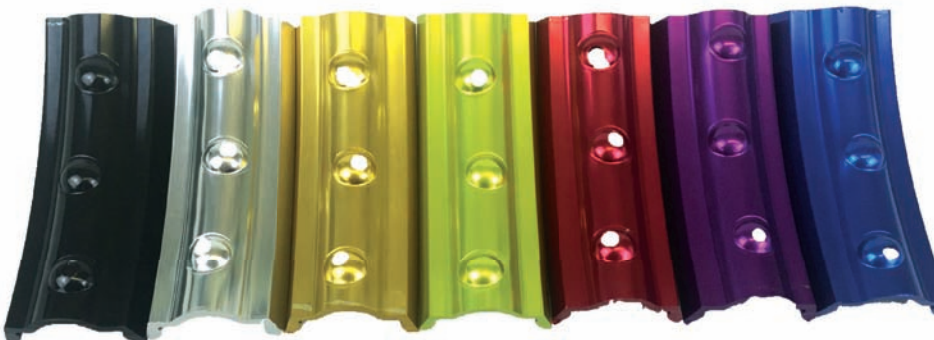
MATTE



50 Matte Silver	51 Matte Black	52 Matte Gold	53 Matte Red	54 Matte Blue	55 Matte Green
-----------------------	----------------------	---------------------	--------------------	---------------------	----------------------



56 Matte Orange	57 Matte Yellow	58 Matte Purple	59 Matte Magnesium	60 Matte Titanium	61 Matte Pink
-----------------------	-----------------------	-----------------------	--------------------------	-------------------------	---------------------



HONDA WHEELS



Model	Year	Position	Rim Size	Wheel Part Number	Hub Colours Stocked
CR 125/250	2002-07	Front	21x1.60	SP153.XX.80.XX.XX.	Red/Black/Gold/Blue
CRF 250R	2004-19	Front	21x1.60	SP153.XX.80.XX.XX.	Red/Black/Gold/Blue
CRF 450R	2002-19	Front	21x1.60	SP153.XX.80.XX.XX.	Red/Black/Gold/Blue
CRF 450X	2017-on	Front	21x1.60	SP153.XX.80.XX.XX.	Red/Black/Gold/Blue
CRF 250L/250L Rally	2012-19	Front	21x1.60	SP155.XX.80.XX.XX.	Red only
CRF 250X/450X *Speedo Drive*	2004-19	Front	21x1.60	SP172.XX.80.XX.XX.	Red only
CRF 250R	2014-19	Rear	19x1.85	SP012.XX.82.XX.XX.	Red/Black/Gold/Blue
CRF 450R	2013-19	Rear	19x2.15	SP012.XX.81.XX.XX.	Red/Black/Gold/Blue
CR 125	2002-07	Rear	19x1.85	SP047.XX.82.XX.XX.	Red/Black/Gold
CR 250	2002-07	Rear	19x2.15	SP047.XX.81.XX.XX.	Red/Black/Gold
CRF 250R	2004-13	Rear	19x1.85	SP047.XX.82.XX.XX.	Red/Black/Gold
CRF 450R	2002-12	Rear	19x2.15	SP047.XX.81.XX.XX.	Red/Black/Gold
CRF 250L/250L RALLY	2012-19	Rear	18x2.15	SP045.XX.84.XX.XX.	Red only
CRF 250X	2005-19	Rear	18x2.15	SP047.XX.84.XX.XX.	Red/Black/Gold
CRF 450X	2005-17	Rear	18x2.15	SP047.XX.84.XX.XX.	Red/Black/Gold
CRF 450X	2017-on	Rear	18x2.15	SP012.XX.84.XX.XX.	Red/Black/Gold/Blue

KAWASAKI WHEELS



Model	Year	Position	Rim Size	Wheel Part Number	Hub Colours Stocked
KX 125/250	2006-08	Front	21 x 1.60	SP176.XX.80.XX.XX.	Black/Blue/Green/Gold
KXF 250	2006-19	Front	21 x 1.60	SP176.XX.80.XX.XX.	Black/Blue/Green/Gold
KXF 450	2006-18	Front	21 x 1.60	SP176.XX.80.XX.XX.	Black/Blue/Green/Gold
KXF 450	2019 on	Front	21 x 1.60	SP177.XX.80.XX.XX.	Black/Blue/Green/Gold
KX 125	2003-08	Rear	19x1.85	SP053.XX.82.XX.XX.	Black/Blue/Green/Gold
KX 250	2003-08	Rear	19x2.15	SP053.XX.81.XX.XX.	Black/Blue/Green/Gold
KXF 250	2006-19	Rear	19x1.85	SP053.XX.82.XX.XX.	Black/Blue/Green/Gold
KXF 450	2006-19	Rear	19x2.15	SP053.XX.81.XX.XX.	Black/Blue/Green/Gold

KTM WHEELS



Model	Year	Position	Rim Size	Wheel Part Number	Hub Colours Stocked
SX/SXF All Models 125-450	2003-19	Front	21x1.60	SP157.XX.80.XX.XX.	Orange/Black/Blue/Silver
EXC/EXCF All Models 125-500	2003-19	Front	21x1.60	SP157.XX.80.XX.XX.	Orange/Black/Blue/Silver
Freeride	2013-19	Front	21x1.60	SP301.XX.80.XX.XX.	Orange/Blue
950/990 Twin Disc	2003-12	Front	21x1.60	SP812.XX.80.XX.XX.	Orange only
690 Enduro	2008-19	Front	21x1.60	SP157.XX.80.XX.XX.	Orange/Black/Blue/Silver
SX/SXF All Models 125-450	2003-19	Rear	19x2.15	SP052.XX.81.XX.XX.	Orange/Black/Blue/Silver
EXC/EXCF All Models 125-500	2003-19	Rear	18x2.15	SP052.XX.84.XX.XX.	Orange/Black/Blue/Silver
Freeride	2013-19	Rear	18x2.15	SP057.XX.84.XX.XX.	Orange/Blue
690 Enduro	2008-18	Rear	18x2.15	SP813.XX.84.XX.XX.	Orange only
690 Enduro	2008-18	Rear	18x2.50	SP165.XX.34.XX.XX.	Orange only

YAMAHA WHEELS



Model	Year	Position	Rim Size	Wheel Part Number	Hub Colours Stocked
YZ 125/250	2002-19	Front	21x1.60	SP185.XX.80.XX.XX.	Blue/Black/Gold
YZF 250/450	2007-19	Front	21x1.60	SP185.XX.80.XX.XX.	Blue/Black/Gold
WRF 250/400/450	2002-19	Front	21x1.60	SP154.XX.80.XX.XX.	Blue/Black
WR 250R	2008-19	Front	21x1.60	SP186.XX.80.XX.XX.	Blue/Black
WR 250X	2008-19	Front	21x1.60	SP187.XX.80.XX.XX.	Blue only
YZ 125	2002-19	Rear	19x1.85	SP074.XX.82.XX.XX.	Blue/Black/Gold
YZ 250	2002-19	Rear	19x2.15	SP074.XX.81.XX.XX.	Blue/Black/Gold
YZF 250	2007-19	Rear	19x1.85	SP074.XX.82.XX.XX.	Blue/Black/Gold
YZF 450	2007-19	Rear	19x2.15	SP074.XX.81.XX.XX.	Blue/Black/Gold
WRF 250/400/450	2002-19	Rear	18x2.15	SP074.XX.84.XX.XX.	Blue/Black/Gold
WR 250R/X	2008-19	Rear	18x2.15	SP082.XX.84.XX.XX.	Blue/Black

SUZUKI WHEELS



Model	Year	Position	Rim Size	Wheel Part Number	Hub Colours Stocked
RM 125/250	1999-08	Front	21x1.60	SP192.XX.80.XX.XX.	Gold only
RMZ 250	2007-19	Front	21x1.60	SP175.XX.80.XX.XX.	Gold/Black/Red
RMZ 450	2005-19	Front	21x1.60	SP175.XX.80.XX.XX.	Gold/Black/Red
DRZ 400E	2000-19	Front	21x1.60	SP145.XX.80.XX.XX.	Gold/Black
RM 125	1999-08	Rear	19x1.85	SP092.XX.82.XX.XX.	Gold only
RM 250	1999-08	Rear	19x2.15	SP092.XX.81.XX.XX.	Gold only
RMZ 250	2007-19	Rear	19x1.85	SP063.XX.82.XX.XX.	Gold/Black/Red
RMZ 450	2005-19	Rear	19x2.15	SP063.XX.81.XX.XX.	Gold/Black/Red
DRZ 400E	2000-19	Rear	18x2.15	SP044.XX.84.XX.XX.	Gold/Black

HUSQVARNA WHEELS



Model	Year	Position	Rim Size	Wheel Part Number	Hub Colours Stocked
TC/FC All Models 125-501	2014-19	Front	21x1.60	SP157.XX.80.XX.XX.	Blue/Black/Orange/Silver
TE/FE All Models 125-501	2014-19	Front	21x1.60	SP157.XX.80.XX.XX.	Blue/Black/Orange/Silver
TC/FC All Models 125-501	2014-19	Rear	19x2.15	SP052.XX.81.XX.XX.	Blue/Black/Orange/Silver
TE/FE All Models 125-501	2014-19	Rear	18x2.15	SP052.XX.84.XX.XX.	Blue/Black/Orange/Silver

TM WHEELS



Model	Year	Position	Rim Size	Wheel Part Number	Hub Colours Stocked
TM 125/250/300/450/530 MX and EN	2007 on	Front	21x1.60	SP165.XX.80.XX.XX.	Blue only
TM 125/250/300/450/530 MX	2007 on	Rear	19x2.15	SP065.XX.81.XX.XX.	Blue only
TM 125 MX	2007 on	Rear	19x1.85	SP065.XX.82.XX.XX.	Blue only
TM 125/250/300/450/530 EN	2007 on	Rear	18x2.15	SP065.XX.84.XX.XX.	Blue only



HUSABERG WHEELS



Model	Year	Position	Rim Size	Wheel Part Number
TE/FE All Models 250-501	2003-19	Front	21x1.60	SP157.XX.80.XX.XX.
TE/FE All Models 250-501	2003-19	Rear	18x2.15	SP052.XX.84.XX.XX.

Husaberg hubs stocked in Blue/Silver/Black.



SHERCO WHEELS



Model	Year	Position	Rim Size	Wheel Part Number
SER/SEF 4T & 2T Enduro Models	All	Front	21x1.60	SP190.XX.80.XX.XX.
SER/SEF 4T & 2T Enduro Models	All	Rear	18x2.15	SP090.XX.84.XX.XX.

Sherco hubs only stocked in Blue.



GAS GAS WHEELS



Model	Year	Position	Rim Size	Wheel Part Number
EC Enduro Models	2004-17	Front	21 x 1.60	SP167.XX.80.XX.XX.
EC Enduro Models	2018 on	Front	21 x 1.60	SP169.XX.80.XX.XX.
EC Enduro Models	2004-17	Rear	18 x 2.15	SP058.XX.84.XX.XX.
EC Enduro Models	2018 on	Rear	18 x 2.15	SP069.XX.84.XX.XX.

Gas Gas hubs only stocked in Red.



BETA WHEELS



Model	Year	Position	Rim Size	Wheel Part Number
RR 4T & 2T Enduro Models	2013-19	Front	21x1.60	SP191.XX.80.XX.XX.
RR 4T & 2T Enduro Models	2013-19	Rear	18x2.15	SP091.XX.84.XX.XX.

Beta hubs only stocked in Red.

HONDA WHEELS

JUNIOR



Alternative colour options available on request.

Model	Year	Position	Rim Size	Wheel Part Number	Hub Colours Stocked
CR 80/85 Small Wheel	2003-07	Front	17x1.40	SP101.XX.62.XX.XX.	Red
CR 80/85 Big Wheel	2003-07	Front	19x1.60	SP101.XX.60.XX.XX.	Red
CRF 150	2007-19	Front	19x1.60	SP181.XX.60.XX.XX.	Red
CR 80/85 Small Wheel	2003-07	Rear	14x1.60	SP103.XX.63.XX.XX.	Red
CR 80/85 Big Wheel	2003-07	Rear	16x1.85	SP103.XX.61.XX.XX.	Red
CRF 150	2007-19	Rear	16x1.85	SP068.XX.61.XX.XX.	Red
Supermoto Sizes					
CRF 150	2007-19	Front	17x2.50	SP181.XX.23.XX.XX.	Red
CRF 150	2007-19	Front	17x3.00	SP181.XX.24.XX.XX.	Red
CRF 150	2007-19	Rear	17x3.00	SP068.XX.24.XX.XX.	Red
CRF 150	2007-19	Rear	17x3.50	SP068.XX.71.XX.XX.	Red

KAWASAKI WHEELS

JUNIOR



Model	Year	Position	Rim Size	Wheel Part Number	Hub Colours Stocked
KX 65 Small Wheel	All	Front	14x1.60	SP130.XX.63.XX.XX.	Green
KX 65 Big Wheel	All	Front	17x1.40	SP130.XX.62.XX.XX.	Green
KX 80/85 Small Wheel	All	Front	17x1.40	SP143.XX.62.XX.XX.	Green/Blue
KX 80/85 Big Wheel	All	Front	19x1.60	SP143.XX.60.XX.XX.	Green/Blue
KX 65 Small Wheel	All	Rear	12x1.60	SP027.XX.64.XX.XX.	Green
KX 65 Big Wheel	All	Rear	14x1.60	SP027.XX.63.XX.XX.	Green
KX 80/85 Small Wheel	All	Rear	14x1.60	SP042.XX.63.XX.XX.	Green/Blue
KX 80/85 Big Wheel	All	Rear	16x1.85	SP042.XX.61.XX.XX.	Green/Blue
Supermoto Sizes					
KX80/85	All	Front	17x2.50	SP143.XX.23.XX.XX.	Green/Blue
KX80/85	All	Front	17x3.00	SP143.XX.24.XX.XX.	Green/Blue
KX80/85	All	Rear	17x3.00	SP042.XX.24.XX.XX.	Green/Blue
KX80/85	All	Rear	17x3.50	SP042.XX.71.XX.XX.	Green/Blue

Alternative and custom sizing available upon request. To convert Supermoto Wheels to tubeless please see pages 49 to 51. For complete wheel package, Wheels, Tyres, Disc and Sprockets please ring for prices.

KTM WHEELS

JUNIOR



Model	Year	Position	Rim Size	Wheel Part Number	Hub Colours Stocked
SX 50 Small Wheel	2006-19	Front	12x1.60	SP300.XX.64.XX.XX.	Orange/Blue
SX 50 Big Wheel	2006-19	Front	14x1.60	SP300.XX.63.XX.XX.	Orange/Blue
SX 85 Small Wheel	2008-11	Front	17x1.40	SP162.XX.62.XX.XX.	Orange
SX 85 Big Wheel	2008-11	Front	19x1.60	SP162.XX.60.XX.XX.	Orange
SX 65 Small Wheel	2012-19	Front	14x1.60	SP302.XX.63.XX.XX.	Orange/Blue
SX 65 Big Wheel	2012-19	Front	17x1.40	SP302.XX.62.XX.XX.	Orange/Blue
SX 85 Small Wheel	2012-19	Front	17x1.40	SP301.XX.62.XX.XX.	Orange/Blue
SX 85 Big Wheel	2012-19	Front	19x1.60	SP301.XX.60.XX.XX.	Orange/Blue
SX 50 Small Wheel	2004-13	Rear	10x1.60	SP066.XX.65.XX.XX.	Orange/Blue
SX 50 Small Wheel	2014-19	Rear	10x1.60	SP067.XX.65.XX.XX.	Orange/Blue
SX 50 Big Wheel	2014-19	Rear	12x1.60	SP067.XX.64.XX.XX.	Orange/Blue
SX 50 Big Wheel	2004-13	Rear	12x1.60	SP066.XX.64.XX.XX.	Orange/Blue
SX 65 Small Wheel	2006-19	Rear	12x1.60	SP049.XX.64.XX.XX.	Orange/Blue
SX 65 Big Wheel	2006-19	Rear	14x1.60	SP049.XX.63.XX.XX.	Orange/Blue
SX 85 Small Wheel	2008-19	Rear	14x1.60	SP057.XX.63.XX.XX.	Orange/Blue
SX 85 Big Wheel	2008-19	Rear	16x1.85	SP057.XX.61.XX.XX.	Orange/Blue
Supermoto Sizes					
SX 50	2006-19	Front	12x2.15	SP300.XX.92.XX.XX.	Orange/Blue
SX 85	2012-19	Front	17x2.50	SP301.XX.23.XX.XX.	Orange/Blue
SX 85	2012-19	Front	17x3.00	SP301.XX.24.XX.XX.	Orange/Blue
SX 50	2014-19	Rear	12x2.50	SP067.XX.93.XX.XX.	Orange/Blue
SX 85	2008-19	Rear	17x3.00	SP057.XX.24.XX.XX.	Orange/Blue
SX 85	2008-19	Rear	17x3.50	SP057.XX.71.XX.XX.	Orange/Blue

Alternative and custom sizing available upon request. To convert Supermoto Wheels to tubeless please see pages 49 to 51. For complete wheel package, Wheels, Tyres, Disc and Sprockets please ring for prices.

YAMAHA WHEELS

JUNIOR



Model	Year	Position	Rim Size	Wheel Part Number	Hub Colours Stocked
YZ 65 Small Wheel	2019-on	Front	14x1.60	SP108.XX.63.XX.XX.	Blue/Gold
YZ 65 Big Wheel	2019 on	Front	17x1.40	SP108.XX.63.XX.XX.	Blue/Gold
YZ 85 Small Wheel	All	Front	17x1.40	SP108.XX.62.XX.XX.	Blue/Gold
YZ 85 Big Wheel	All	Front	19x1.60	SP108.XX.60.XX.XX.	Blue/Gold
YZ 65 Small Wheel	2019-on	Rear	12x1.60	SP010.XX.64.XX.XX.	Blue/Gold
YZ 65 Big Wheel	2019 on	Rear	14x1.60	SP010.XX.63.XX.XX.	Blue/Gold
YZ 85 Small Wheel	All	Rear	14x1.60	SP010.XX.63.XX.XX.	Blue/Gold
YZ 85 Big Wheel	All	Rear	16x1.85	SP010.XX.61.XX.XX.	Blue/Gold
Supermoto Sizes					
YZ 65	2019 on	Front	12x2.15	SP108.XX.92.XX.XX.	Blue/Gold
YZ 65/85	All	Front	17x2.50	SP108.XX.23.XX.XX.	Blue/Gold
YZ 65/85	All	Front	17x3.00	SP108.XX.24.XX.XX.	Blue/Gold
YZ65	2019 on	Rear	12x2.50	SP010.XX.93.XX.XX.	Blue/Gold
YZ 65/85	All	Rear	17x3.00	SP010.XX.24.XX.XX.	Blue/Gold
YZ 65/85	All	Rear	17x3.50	SP010.XX.71.XX.XX.	Blue/Gold

Alternative and custom sizing available upon request. To convert Supermoto Wheels to tubeless please see pages 49 to 51. For complete wheel package, Wheels, Tyres, Disc and Sprockets please ring for prices.

SUZUKI WHEELS

JUNIOR



Model	Year	Position	Rim Size	Wheel Part Number	Hub Colours Stocked
RM 85 Small Wheel	All	Front	17x1.40	SP108.XX.62.XX.XX.	Blue/Gold
RM 85 Big Wheel	All	Front	19x1.60	SP108.XX.60.XX.XX.	Blue/Gold
RM 85 Small Wheel	All	Rear	14x1.60	SP010.XX.63.XX.XX.	Blue/Gold
RM 85 Big Wheel	All	Rear	16x1.85	SP010.XX.61.XX.XX.	Blue/Gold
Supermoto Sizes					
RM 85	All	Front	17x2.50	SP108.XX.23.XX.XX.	Blue/Gold
RM 85	All	Front	17x3.00	SP108.XX.24.XX.XX.	Blue/Gold
RM 85	All	Rear	17x3.00	SP010.XX.24.XX.XX.	Blue/Gold
RM 85	All	Rear	17x3.50	SP010.XX.71.XX.XX.	Blue/Gold

Alternative and custom sizing available upon request. To convert Supermoto Wheels to tubeless please see pages 49 to 51. For complete wheel package, Wheels, Tyres, Disc and Sprockets please ring for prices.

HUSQVARNA WHEELS

JUNIOR



Model	Year	Position	Rim Size	Wheel Part Number	Hub Colours Stocked
TC 50 Small Wheel	2017 on	Front	12x1.60	SP300.XX.64.XX.XX.	Orange/Blue
TC 50 Big Wheel	2017 on	Front	14x1.60	SP300.XX.63.XX.XX.	Orange/Blue
TC 65 Small Wheel	2017 on	Front	14x1.60	SP302.XX.63.XX.XX.	Orange/Blue
TC 65 Big Wheel	2017 on	Front	17x1.40	SP302.XX.62.XX.XX.	Orange/Blue
TC 85 Small Wheel	2014-19	Front	17x1.40	SP301.XX.62.XX.XX.	Orange/Blue
TC 85 Big Wheel	2014-19	Front	19x1.60	SP301.XX.60.XX.XX.	Orange/Blue
TC 50 Small Wheel	2017 on	Rear	10x1.60	SP067.XX.65.XX.XX.	Orange/Blue
TC 50 Big Wheel	2017 on	Rear	12x1.60	SP067.XX.64.XX.XX.	Orange/Blue
TC 65 Small Wheel	2017 on	Rear	12x1.60	SP049.XX.64.XX.XX.	Orange/Blue
TC 65 Big Wheel	2017 on	Rear	14x1.60	SP049.XX.63.XX.XX.	Orange/Blue
TC 85 Small Wheel	2014-19	Rear	14x1.60	SP057.XX.63.XX.XX.	Orange/Blue
TC 85 Big Wheel	2014-19	Rear	16x1.85	SP057.XX.61.XX.XX.	Orange/Blue
Supermoto Sizes					
TC 50	2017 on	Front	12x2.15	SP300.XX.92.XX.XX.	Orange/Blue
TC 65	2017 on	Front	17x2.50	SP302.XX.23.XX.XX.	Orange/Blue
TC 65	2017 on	Front	17x3.00	SP302.XX.24.XX.XX.	Orange/Blue
TC 85	2014-19	Front	17x2.50	SP301.XX.23.XX.XX.	Orange/Blue
TC 85	2014-19	Front	17x3.00	SP301.XX.24.XX.XX.	Orange/Blue
TC 50	2017 on	Rear	12x2.50	SP067.XX.93.XX.XX.	Orange/Blue
TC 65	2017 on	Rear	17x3.00	SP049.XX.24.XX.XX.	Orange/Blue
TC 65	2017 on	Rear	17x3.50	SP049.XX.71.XX.XX.	Orange/Blue
TC 85	2014-19	Rear	17x3.00	SP057.XX.24.XX.XX.	Orange/Blue
TC 85	2014-19	Rear	17x3.50	SP057.XX.71.XX.XX.	Orange/Blue

Alternative and custom sizing available upon request. To convert Supermoto Wheels to tubeless please see pages 49 to 51. For complete wheel package, Wheels, Tyres, Disc and Sprockets please ring for prices.

HONDA WHEELS

SUPERMOTO



WHEELS

RIMS

HUBS

BRAKES

Model	Year	Position	Rim Size	Wheel Part Number	Hub Colours Stocked
CR 125/250	2002-07	Front	16.50x3.50	SP153.XX.70.XX.XX.	Red/Black/Gold/Blue
			17x3.50	SP153.XX.71.XX.XX.	Red/Black/Gold/Blue
CRF 250R	2004-19	Front	16.50x3.50	SP153.XX.70.XX.XX.	Red/Black/Gold/Blue
			17x3.50	SP153.XX.71.XX.XX.	Red/Black/Gold/Blue
CRF 450R	2002-19	Front	16.50x3.50	SP153.XX.70.XX.XX.	Red/Black/Gold/Blue
			17x3.50	SP153.XX.71.XX.XX.	Red/Black/Gold/Blue
CRF 250L	2012-19	Front	17x3.50	SP155.XX.71.XX.XX.	Red only
CRF 250X/450X *Speedo Drive*	2004-19	Front	16.50x3.50	SP172.XX.70.XX.XX.	Red only
			17x3.50	SP172.XX.71.XX.XX.	Red only
CRF 250R	2014-19	Rear	17x4.25	SP012.XX.72.XX.XX.	Red/Black/Gold/Blue
			17x5.00	SP012.XX.73.XX.XX.	Red/Black/Gold/Blue
CRF 450R	2013-19	Rear	17x4.25	SP012.XX.72.XX.XX.	Red/Black/Gold/Blue
			17x5.00	SP012.XX.73.XX.XX.	Red/Black/Gold/Blue
			17x5.00	SP012.XX.73.XX.XX.	Red/Black/Gold/Blue
CR 125	2002-07	Rear	17x4.25	SP047.XX.72.XX.XX.	Red/Black/Gold
			17x5.00	SP047.XX.73.XX.XX.	Red/Black/Gold
CR 250	2002-07	Rear	17x4.25	SP047.XX.72.XX.XX.	Red/Black/Gold
			17x5.00	SP047.XX.73.XX.XX.	Red/Black/Gold
CRF 250R	2004-13	Rear	17x4.25	SP047.XX.72.XX.XX.	Red/Black/Gold
			17x5.00	SP047.XX.73.XX.XX.	Red/Black/Gold
CRF 450R	2002-12	Rear	17x4.25	SP047.XX.72.XX.XX.	Red/Black/Gold
			17x5.00	SP047.XX.73.XX.XX.	Red/Black/Gold
CRF 250L	2012-19	Rear	17x4.25	SP045.XX.72.XX.XX.	Red only
CRF 250X	2004-19	Rear	17x4.25	SP047.XX.72.XX.XX.	Red/Black/Gold
			17x5.00	SP047.XX.73.XX.XX.	Red/Black/Gold
CRF 450X	2005-19	Rear	17x4.25	SP047.XX.72.XX.XX.	Red/Black/Gold
			17x5.00	SP047.XX.73.XX.XX.	Red/Black/Gold
Honda Cush Drive Rear Wheel	2004-19	Rear	17x4.25	SP816.XX.72.XX.XX.	Red only
			17x5.00	SP816.XX.73.XX.XX.	Red only
			17x5.50	SP816.XX.28.XX.XX.	Red only

Alternative and custom sizing available upon request. To convert Supermoto Wheels to tubeless please see pages 49 to 51. For complete wheel package, Wheels, Tyres, Disc and Sprockets please ring for prices.

KAWASAKI WHEELS

SUPERMOTO



Model	Year	Position	Rim Size	Wheel Part Number	Hub Colours Stocked
KX 125/250	2006-08	Front	16.50x3.50	SP176.XX.70.XX.XX.	Green/Blue/Gold
			17x3.50	SP176.XX.71.XX.XX.	Green/Blue/Gold
KXF 250	2006-19	Front	16.50x3.50	SP176.XX.70.XX.XX.	Green/Blue/Gold
			17x3.50	SP176.XX.71.XX.XX.	Green/Blue/Gold
KXF 450	2006-18	Front	16.5x3.50	SP176.XX.70.XX.XX.	Green/Blue/Gold
			17x3.50	SP176.XX.71.XX.XX.	Green/Blue/Gold
KXF 450	2019 on	Front	16.50x3.50	SP177.XX.70.XX.XX.	Green/Blue/Gold
			17x3.50	SP177.XX.71.XX.XX.	Green/Blue/Gold
KXF 450	2019-on	Front	17x3.50	SP177.XX.71.XX.XX.	Green/Blue/Gold
KX 125	2003-08	Rear	17x4.25	SP053.XX.72.XX.XX.	Green/Blue/Gold
			17x5.00	SP053.XX.73.XX.XX.	Green/Blue/Gold
KX 250	2003-08	Rear	17x4.25	SP053.XX.72.XX.XX.	Green/Blue/Gold
			17x5.00	SP053.XX.73.XX.XX.	Green/Blue/Gold
KXF 250/450	2006-19	Rear	17x4.25	SP053.XX.72.XX.XX.	Green/Blue/Gold
			17x5.00	SP053.XX.73.XX.XX.	Green/Blue/Gold

Alternative and custom sizing available upon request. To convert Supermoto Wheels to tubeless please see pages 49 to 51. For complete wheel package, Wheels, Tyres, Disc and Sprockets please ring for prices.

KTM WHEELS

SUPERMOTO



Model	Year	Position	Rim Size	Wheel Part Number	Hub Colours Stocked
SX/SXF All Models 125-450	2003-19	Front	16.50x3.50	SP157.XX.70.XX.XX.	Orange/Black/Blue/Silver
			17x3.50	SP157.XX.71.XX.XX.	Orange/Black/Blue/Silver
EXC/EXCF All Models 125-500	2003-19	Front	16.50x3.50	SP157.XX.70.XX.XX.	Orange/Black/Blue/Silver
			17x3.50	SP157.XX.71.XX.XX.	Orange/Black/Blue/Silver
Freeride	2013-19	Front	17x3.50	SP157.XX.71.XX.XX.	Orange/Black/Blue/Silver
KTM 690	2008-19	Front	16.50x3.50	SP157.XX.70.XX.XX.	Orange/Blue
KTM 690	2008-19		17x3.50	SP157.XX.71.XX.XX.	Orange/Blue
SX/SXF All Models 125-450	2003-19	Rear	17x4.25	SP052.XX.72.XX.XX.	Orange/Black/Blue/Silver
			17x5.00	SP052.XX.73.XX.XX.	Orange/Black/Blue/Silver
EXC/EXCF All Models 125-500	2003-19	Rear	17x4.25	SP052.XX.72.XX.XX.	Orange/Black/Blue/Silver
			17x5.00	SP052.XX.73.XX.XX.	Orange/Black/Blue/Silver
Freeride	2013-19	Rear	17x4.25	SP052.XX.72.XX.XX.	Orange/Black/Blue/Silver
KTM Cush Drive Rear	2003-19	Rear	17x4.25	SP832.XX.72.XX.XX.	Orange/Blue
			17x5.00	SP832.XX.73.XX.XX.	Orange/Blue
			17x5.50	SP832.XX.28.XX.XX.	Orange/Blue

Alternative and custom sizing available upon request. To convert Supermoto Wheels to tubeless please see pages 49 to 51. For complete wheel package, Wheels, Tyres, Disc and Sprockets please ring for prices.

YAMAHA WHEELS

SUPERMOTO



Model	Year	Position	Rim Size	Wheel Part Number	Hub Colours Stocked
YZ 125/250	2007-19	Front	16.50x3.50	SP185.XX.70.XX.XX.	Blue/Black/Gold
			17x3.50	SP185.XX.71.XX.XX.	Blue/Black/Gold
YZF 250/450	2007-19	Front	16.50x3.50	SP185.XX.70.XX.XX.	Blue/Black/Gold
			17x3.50	SP185.XX.71.XX.XX.	Blue/Black/Gold
WRF 250/400/450	2002-19	Front	16.50x3.50	SP154.XX.70.XX.XX.	Blue/Black
			17x3.50	SP154.XX.71.XX.XX.	Blue/Black
WR 250R	2008-19	Front	16.50x3.50	SP186.XX.70.XX.XX.	Blue/Black
			17x3.50	SP186.XX.71.XX.XX.	Blue/Black
WR 250X	2008-19	Front	16.50x3.50	SP187.XX.70.XX.XX.	Blue only
			17x3.50	SP187.XX.71.XX.XX.	Blue only
YZ 125	2007-19	Rear	17x4.25	SP074.XX.72.XX.XX.	Blue/Black/Gold
			17x5.00	SP074.XX.73.XX.XX.	Blue/Black/Gold
YZ 250	2007-19	Rear	17x4.25	SP074.XX.72.XX.XX.	Blue/Black/Gold
			17x5.00	SP074.XX.73.XX.XX.	Blue/Black/Gold
YZF 250	2007-19	Rear	17x4.25	SP074.XX.72.XX.XX.	Blue/Black/Gold
			17x5.00	SP074.XX.73.XX.XX.	Blue/Black/Gold
YZF 450	2007-19	Rear	17x4.25	SP074.XX.72.XX.XX.	Blue/Black/Gold
			17x5.00	SP074.XX.73.XX.XX.	Blue/Black/Gold
WRF 250/400/450	2002-19	Rear	17x4.25	SP074.XX.72.XX.XX.	Blue/Black/Gold
			17x5.00	SP074.XX.73.XX.XX.	Blue/Black/Gold
WR 250R/X	2008-19	Rear	17x4.25	SP082.XX.72.XX.XX.	Blue/Black
			17x5.00	SP082.XX.73.XX.XX.	Blue/Black
Yamaha Cush Drive Rear	2002-19	Rear	17x4.25	SP874.XX.72.XX.XX.	Blue only
		Rear	17x5.00	SP874.XX.73.XX.XX.	Blue only
		Rear	17x5.50	SP874.XX.28.XX.XX.	Blue only

Alternative and custom sizing available upon request. To convert Supermoto Wheels to tubeless please see pages 49 to 51. For complete wheel package, Wheels, Tyres, Disc and Sprockets please ring for prices.

SUZUKI WHEELS

SUPERMOTO



WHEELS

RIMS

HUBS

BRAKES



Model	Year	Position	Rim Size	Wheel Part Number	Hub Colours Stocked
RM 125/250	1999-08	Front	16.50x3.50	SP192.XX.70.XX.XX.	Gold only
			17x3.50	SP192.XX.71.XX.XX.	Gold only
RMZ 250	2007-19	Front	16.50x3.50	SP175.XX.70.XX.XX.	Gold/Red/Black
			17x3.50	SP175.XX.71.XX.XX.	Gold/Red/Black
RMZ 450	2007-19	Front	16.50x3.50	SP175.XX.70.XX.XX.	Gold/Red/Black
			17x3.50	SP175.XX.71.XX.XX.	Gold/Red/Black
DRZ 400E	2000-19	Front	16.50x3.50	SP145.XX.70.XX.XX.	Gold/Black
			17x3.50	SP145.XX.71.XX.XX.	Gold/Black
RM 125	1999-08	Rear	17x4.25	SP092.XX.72.XX.XX.	Gold only
			17x5.00	SP092.XX.73.XX.XX.	Gold only
RM 250	1999-08	Rear	17x4.25	SP092.XX.72.XX.XX.	Gold only
			17x5.00	SP092.XX.73.XX.XX.	Gold only
RMZ 250	2007-19	Rear	17x4.25	SP063.XX.72.XX.XX.	Gold/Red/Black
			17x5.00	SP063.XX.73.XX.XX.	Gold/Red/Black
RMZ 450	2007-19	Rear	17x4.25	SP063.XX.72.XX.XX.	Gold/Red/Black
			17x5.00	SP063.XX.73.XX.XX.	Gold/Red/Black
DRZ 400E	2000-19	Rear	17x4.25	SP044.XX.72.XX.XX.	Gold/Black
			17x5.00	SP044.XX.73.XX.XX.	Gold/Black

Alternative and custom sizing available upon request. To convert Supermoto Wheels to tubeless please see pages 49 to 51. For complete wheel package, Wheels, Tyres, Disc and Sprockets please ring for prices.

HUSQVARNA WHEELS

SUPERMOTO



Model	Year	Position	Rim Size	Wheel Part Number	Hub Colours Stocked
TC/FC All Models 125-501	2013-19	Front	16.50x3.50	SP157.XX.70.XX.XX.	Blue/Orange/Silver/Black
			17x3.50	SP157.XX.71.XX.XX.	Blue/Orange/Silver/Black
TE/FE All Models 125-501	2013-19	Front	16.50x3.50	SP157.XX.70.XX.XX.	Blue/Orange/Silver/Black
			17x3.50	SP157.XX.71.XX.XX.	Blue/Orange/Silver/Black
TC/FC All Models 125-501	2013-19	Rear	17x4.25	SP052.XX.72.XX.XX.	Blue/Orange/Silver/Black
			17x5.00	SP052.XX.73.XX.XX.	Blue/Orange/Silver/Black
TE/FE All Models 125-501	2013-19	Rear	17x4.25	SP052.XX.72.XX.XX.	Blue/Orange/Silver/Black
			17x5.00	SP052.XX.73.XX.XX.	Blue/Orange/Silver/Black
Husqvarna 701 Enduro	2016-19	Rear	17x4.25	SP813.XX.72.XX.XX.	Blue/Orange
			17x5.00	SP813.XX.73.XX.XX.	Blue/Orange

** Please note Front hub requires 2 off SP157-690 Spacers for Supermoto 2015 onwards

TM WHEELS

SUPERMOTO



Model	Year	Position	Rim Size	Wheel Part Number	Hub Colours Stocked
TM 125/250/300/450/530 MX and EN	2007 on	Front	16.50 x 3.50	SP165.XX.70.XX.XX.	Blue
TM 125/250/300/450/530 MX and EN	2007 on	Front	17 x 3.50	SP165.XX.71.XX.XX.	Blue
TM 125/250/300/450/530 MX and EN	2007 on	Rear	17 x 4.25	SP065.XX.72.XX.XX.	Blue
TM 125/250/300/450/530 MX and EN	2007 on	Rear	17 x 5.00	SP065.XX.73.XX.XX.	Blue

Alternative and custom sizing available upon request. To convert Supermoto Wheels to tubeless please see pages 49 to 51. For complete wheel package, Wheels, Tyres, Disc and Sprockets please ring for prices.



HUSABERG WHEELS



Husaberg hubs stocked in Blue/Black/Silver.

Model	Year	Position	Rim Size	Wheel Part Number
TE/FE All Models 250-501	2003-19	Front	16.50x3.50	SP157.XX.70.XX.XX.
			17x3.50	SP157.XX.71.XX.XX.
TE/FE All Models 250-501	2003-19	Rear	17x4.25	SP052.XX.72.XX.XX.
			17x5.00	SP052.XX.73.XX.XX.



SHERCO WHEELS



Sherco hubs only stocked in Blue.

Model	Year	Position	Rim Size	Wheel Part Number
SER/SEF 4T & 2T Enduro Models	All	Front	16.50x3.50	SP190.XX.70.XX.XX.
			17x3.50	SP190.XX.71.XX.XX.
SER/SEF 4T & 2T Enduro Models	All	Rear	17x4.25	SP090.XX.72.XX.XX.
			17x5.00	SP090.XX.73.XX.XX.



GAS GAS WHEELS



Gas Gas hubs only stocked in Red.

Model	Year	Position	Rim Size	Wheel Part Number
EC Enduro Models	2004-17	Front	16.50x3.50	SP167.XX.70.XX.XX.
			17x3.50	SP167.XX.71.XX.XX.
EC Enduro Models	2018-on	Front	16.50x3.50	SP169.XX.70.XX.XX.
			17x3.50	SP169.XX.71.XX.XX.
EC Enduro Models	2004-17	Rear	17x4.25	SP058.XX.72.XX.XX.
	2018-on	Rear	17x4.25	SP069.XX.72.XX.XX.



BETA WHEELS



Beta hubs only stocked in Red.

Model	Year	Position	Rim Size	Wheel Part Number
RR 4T & 2T Enduro Models	2013-19	Front	16.50x3.50	SP191.XX.70.XX.XX.
			17x3.50	SP191.XX.71.XX.XX.
RR 4T & 2T Enduro Models	2013-19	Rear	17x4.25	SP091.XX.72.XX.XX.
			17x5.00	SP091.XX.73.XX.XX.

Alternative and custom sizing available upon request. To convert Supermoto Wheels to tubeless please see pages 49 to 51. For complete wheel package, Wheels, Tyres, Disc and Sprockets please ring for prices.

SPEEDWAY WHEELS



Speedway Wheels	Year	Position	Rim Size	Wheel Part Number	Hub Colours Stocked
Speedway	N/A	Front	23x1.60	SP901.XX.91.XX.XX.	Black/Blue/Silver/Red/Gold
Speedway Junior	N/A	Front	19x1.40	SP901.XX.93.XX.XX.	Black/Blue/Silver/Red/Gold
Speedway	N/A	Rear	19x2.15	SP902.XX.81.XX.XX.	Black/Blue/Silver/Red/Gold
Speedway Junior	N/A	Rear	17x1.85	SP902.XX.92.XX.XX.	Black/Blue/Silver/Red/Gold

Grasstrack Wheels are supplied using SMPro Hubs and Morad alloy rims.

Grasstrack Wheels	Year	Position	Rim Size	Wheel Part Number	Hub Colours Stocked
Grasstrack	N/A	Front	23x1.60	SM901.XX.91.XX.XX.	Black/Blue/Silver/Red/Gold
	N/A	Rear	22x1.85	SM902.XX.57.XX.XX.	Black/Blue/Silver/Red/Gold
	N/A	Rear	22x1.60	SM902.XX.57.XX.XX.	Black/Blue/Silver/Red/Gold

FLAT TRACK WHEELS



Flat Track wheels can be built using any of our SMPro Hubs shown in this catalogue, or built onto your existing hubs. Flat Track rims are available in the sizes listed below.

Flat Track Wheels	Year	Position	Rim Size	Wheel Part Number	Hub Colours Stocked
		Front	19x2.15	SPXXX.XX.81.XX.XX.	
		Front & Rear	19x2.50	SPXXX.XX.45.XX.XX.	
		Front & Rear	19x3.00	SPXXX.XX.46.XX.XX.	
		Rear	19x3.50	SPXXX.XX.47.XX.XX.	

CAFÉ RACER WHEELS



Café Racer Wheels can be built using any of our SMPro Hubs shown in this catalogue, or built onto your existing hubs
Popular sizes of Café Racer rims are listed below - other sizes available on request.

Model	Year	Position	Rim Size	Wheel Part Number	Hub Colours Stocked
All Models shown in this Brochure		Front	19x2.15	SPXXX.XX.81.XX.XX.	As Brochure
		Front & Rear	19x2.50	SPXXX.XX.81.XX.XX.	
		Front & Rear	19x3.00	SPXXX.XX.81.XX.XX.	
		Rear	19x3.50	SPXXX.XX.81.XX.XX.	
		Front	18x2.50	SPXXX.XX.81.XX.XX.	
		Rear	18x3.00	SPXXX.XX.81.XX.XX.	
		Rear	18x3.50	SPXXX.XX.81.XX.XX.	
		Front	17x2.50	SPXXX.XX.81.XX.XX.	
		Rear	17x3.00	SPXXX.XX.81.XX.XX.	
		Rear	17x3.50	SPXXX.XX.81.XX.XX.	

ELECTRIC BIKE WHEELS



Our SMPro Electric Bike Hubs have been designed to fit the Kuberg Electric Bikes, but should fit the majority of Electric bike manufacturers. These Electric Bike hubs are substantially stronger than the Original hubs and allow use of stronger spokes and lacing pattern creating a far stronger wheel suitable for race use.

Electric Bike Wheels	Year	Position	Rim Size	Wheel Part Number	Hub Colours Stocked
Kuberg	All	Front	14x1.60	SP903.XX.63.XX.XX.	Black only
Kuberg	All	Front	19x1.60	SP903.XX.60.XX.XX.	Black only
Kuberg	All	Rear	12x1.60	SP904.XX.64.XX.XX.	Black only
Kuberg	All	Rear	16x1.85	SP904.XX.61.XX.XX.	Black only

ADVENTURE BIKE WHEELS



Triumph Thruxton Wheels



Honda Africa Twin Wheels

Model	Year	Position	Rim Size	Wheel Part Number	Hub Colours Stocked
Honda CRF1000L Africa Twin	2016 on	Front	21x2.15	SP815.XX.87.XX.XX	Black
			21x1.85	SP815.XX.83.XX.XX	
			19x2.50	SP815.XX.45.XX.XX	
			17x3.50	SP815.XX.71.XX.XX	
		Rear	18x4.25	SP715.XX.74.XX.XX	
			17x4.25	SP715.XX.72.XX.XX	
			17x5.00	SP715.XX.73.XX.XX	
			17x5.50	SP715.XX.28.XX.XX	
KTM 950/990	2003-2014	Front	21x2.15	SP812.XX.87.XX.XX	Orange
			21x1.85	SP812.XX.83.XX.XX	
			19x2.15	SP812.XX.81.XX.XX	
			17x3.50	SP812.XX.71.XX.XX	
		Rear	18x2.50	SP712.XX.86.XX.XX	
			18x4.25	SP712.XX.74.XX.XX	
			17x4.25	SP712.XX.72.XX.XX	
			17x5.00	SP712.XX.73.XX.XX	
BMW F800GS	2013 on	Front	21x2.15	SP811.XX.87.XX.XX	Gold
			19x2.50	SP811.XX.45.XX.XX	
		Rear	17x3.50	SP714.XX.71.XX.XX	
			17x4.25	SP714.XX.72.XX.XX	
KTM 690	2008-2019	Front	21x2.15	SP157.XX.87.XX.XX	Orange & Blue
			21x1.85	SP157.XX.83.XX.XX	
			21x1.60	SP157.XX.80.XX.XX	
		Rear	18x2.50	SP813.XX.86.XX.XX	
			18x2.15	SP813.XX.84.XX.XX	
Triumph Thruxton	2017 on	Front	17x3.50	SP817.XX.71.XX.XX	Black
		Rear	17x5.00	SP717.XX.73.XX.XX	

To convert your wheels to tubeless and allow better range of Tubeless tyres please see page 49 to 51 Tubeless conversions.

CUSTOM WHEELS FINISHES



In addition to the colours listed in this brochure you can also use your imagination and choose to customise your wheels with various colour combinations; we can add Camo or fade two colours onto your rims.

We can assemble these on to any of the hubs listed in this brochure and can even mix the colours of the spokes.

We can build Dual Colour Camo or Fade rim with any combination of nipple colours – please note

that for Dual Colour rims the primary colour must be black due to the process.

White rims are available in powdercoated finish only as it is not possible to anodise White.

Custom builds are extra and are not available from stock so for more information call us on 01675 462 264. These options take 3-4 weeks for delivery as they are anodised to order.



REPLACEMENT RIMS



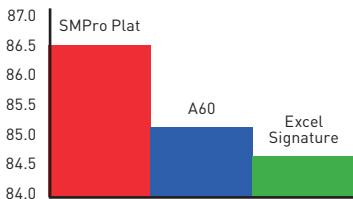
The SMPro Platinum rim is the strongest and lightest aftermarket rim available to date. 18 months in testing and development the SMPro Platinum rim is made from a new specially formulated high grade of 7050 Series Aluminium.

The Platinum rim has been designed, tested and manufactured to withstand the rigours and demands of today's performance motorcycles and riding styles, whilst reducing the weight of the rim to reduce the unsprung weight of the wheel. The SMPro Platinum rim is the new benchmark of aftermarket MX rims.

SMPro Platinum rims are available in Factory Matte and Gloss in a wide variety of colours (see page 4) and feature a stylish etched logo to showcase the Platinum rim. Platinum rims are available from 18"-21" and can be fitted to SMPro or Original Equipment Manufacturer Hubs (other brands available on request).



HARDNESS TEST

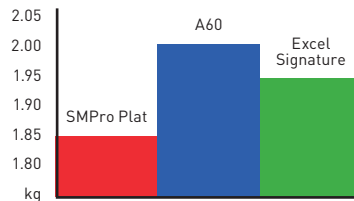


SMPro Platinum IS

1.5% harder than the Excel A60 Rim
[Based on 19*2.15 36H]

Hardness test conducted by an independent authority

WEIGHT



SMPro Platinum IS

150g lighter than the Excel A60 Rim
[Based on 19*2.15 36H]

REPLACEMENT RIMS



JUNIOR RIMS

Size	Position	Holes	Rim Part Number
17x1.40	Front	28	RP62.XX.28
		32	RP62.XX.32
19x1.60	Front	28	RP60.XX.28
		32	RP60.XX.32
		36	RP60.XX.36
12x1.60	Front/Rear	28	RP64.XX.28
		32	RP64.XX.32
14x1.60	Front/Rear	28	RP63.XX.28
		32	RP63.XX.32
		36	RP63.XX.36
10x1.60	Rear	28	RP65.XX.28
		32	RP65.XX.32
16x1.85	Rear	28	RP61.XX.28
		32	RP61.XX.32
		36	RP61.XX.36

SPEEDWAY RIMS

Size	Position	Holes	Rim Part Number
23x1.60	Front	36	RX91.XX.36
		40	RX91.XX.40
19x1.40	Front	36	RX68.XX.36
19x2.15	Rear	36	RX81.XX.36
		40	RX81.XX.40
17x1.85	Rear	36	RX67.XX.36

GRASSTRACK RIMS

Size	Position	Holes	Rim Part Number
23x1.60	Front	36	RT91.XX.36
22x1.85	Rear	36	RT57.XX.36
22x1.60	Rear	36	RT56.XX.36

CAFÉ RACER RIMS

Size	Position	Holes	Rim Part Number
19x2.15	Front	36	RP81.XX.36
19x2.50	Front	36	RP45.XX.36
19x3.00	Front & Rear	36	RP46.XX.36
19x3.50	Front & Rear	36	RP47.XX.36
18x2.50	Front	36	RP34.XX.36
18x3.00	Rear	36	RP35.XX.36
18x3.50	Rear	36	RP36.XX.36
17x2.50	Front	36	RP23.XX.36
17x3.00	Rear	36	RP24.XX.36
17x3.50	Rear	36	RP71.XX.36

SENIOR RIMS

Size	Position	Holes	Rim Part Number
21x1.60	Front	36	RP80.XX.36
21x1.60	Front	32	RP80.XX.32
19x2.15	Rear	36	RP81.XX.36
		32	RP81.XX.32
19x1.85	Rear	36	RP82.XX.36
		32	RP82.XX.32
18x2.15	Rear	36	RP84.XX.36
		32	RP84.XX.32

SUPERMOTO RIMS

Size	Position	Holes	Rim Part Number
16.5x3.50	Front	36	RP70.XX.36
17x3.50	Front	36	RP71.XX.36
16x3.50	Front	36	RP12.XX.36
17x4.25	Rear	36	RP72.XX.36
17x5.00	Rear	36	RP73.XX.36
17x5.50	Rear	36	RP28.XX.36

JUNIOR SUPERMOTO RIMS

Size	Position	Holes	Rim Part Number
12x2.15	Front	32	RT92.XX.32
17x2.50	Front	32	RT23.XX.32
17x3.00	Front	32	RT24.XX.32
12x2.50	Rear	32	RT93.XX.32
17x3.00	Rear	32	RT24.XX.32
17x3.50	Rear	32	RT71.XX.32

ADVENTURE BIKE RIMS

Size	Position	Holes	Rim Part Number
21x2.15	Front	36	RP51.XX.36
21x1.85	Front	36	RP83.XX.36
19x2.50	Front	36	RP45.XX.36
18x4.25	Rear	36	RP37.XX.36
17x5.50	Rear	36	RP28.XX.36

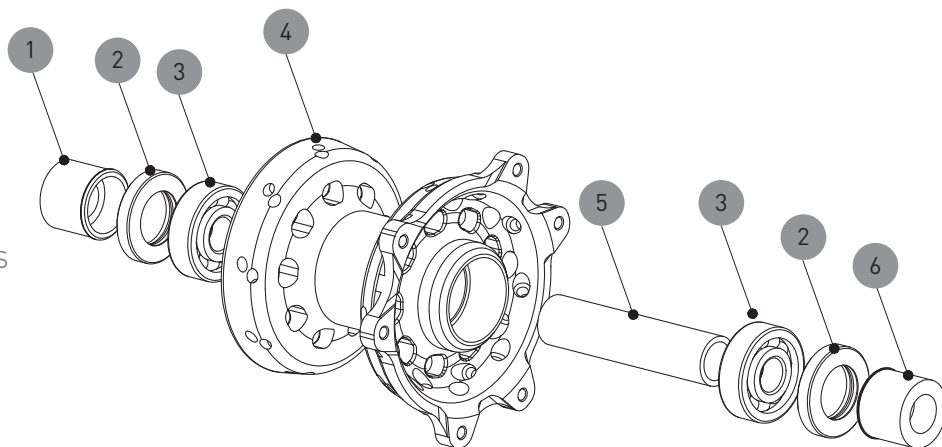
FLAT TRACK RIMS

Size	Position	Holes	Rim Part Number
19 x 2.15	Front	36 & 40	RP81.XX.XX
19 x 2.50	Front	36 & 40	RP45.XX.XX
19 x 3.00	Front/Rear	36 & 40	RP46.XX.XX
19 x 3.50	Rear	36 & 40	RP47.XX.XX

HUB FITMENT AND REPLACEMENT PARTS



FRONT HUBS



Model	1.Hub Fitment	2.Tube	3.Bearing	4.Seal	5.Disc Spacer	6.Plain Spacer
CR 80/85	SP101	SP101-T	6904	25*37*7	SP101-1	SP102-2
CRF 150	SP181	SP181-T	6904	25*37*7	SP181-1	SP181-2
CR 125/250, CRF 250R/450R	SP153	SP153-T	6905	30*42*7	SP153-1	SP153-2
CRF 250L	SP155	SP155-T	6905	30*42*7	SP155-1	SP155-2
CRF 250X/450X	SP172	SP172-T	6905	30*42*7	SP153-1	SPEEDO DRIVE

Kawasaki

Model	1.Hub Fitment	2.Tube	3.Bearing	4.Seal	5.Disc Spacer	6.Plain Spacer
KX 65	SP130	SP130-T	6202	25*35*7	SP130-1	SP130-2
KX 80/85	SP143	SP143-T	6203	25*40*7	SP143-1	SP143-2
KX 125/250 KXF 250/450	SP176	SP176-T	6905	30*42*7	SP176-1	SP176-1
KXF450	SP177	SP177-T	6905	30*42*7	SP177-1	SP177-2
Kawasaki KLX	SP179	SP179-T	6904 & 6904	None	SP179-1	None



Model	1.Hub Fitment	2.Tube	3.Bearing	4.Seal	5.Disc Spacer	6.Plain Spacer
SX 50	SP300	SP300-T	6203	25*40*7	SP300-2	SP300-3
SX 65 2012-19	SP302	SP302-T	6003	25*35*7	SP302-3	SP302-4
SX 65 2006-11	SP150	SP150-T	6003	25*35*7	SP150-1	SP150-2
SX 85 2012-19	SP301	SP301-T	6905	30*42*7	SP301-1	SP301-1
SX 85 2008-11	SP162	SP162-T	6905	30*42*7	SP162-1	SP162-2
SX/SXF/EXC/EXCF 125-500 26mm Axle	SP157	SP157-T	6906	35*47*7	SP157-1	SP157-1
SX/SXF/EXC/EXCF 125-500 22mm Axle	SP157	SP157-T	6906	35*47*7	SP157-22-1	SP157-22-2
Freeride	SP301	SP301-T	6905	30*42*7	SP301-1	SP301-1



Model	1.Hub Fitment	2.Tube	3.Bearing	4.Seal	5.Disc Spacer	6.Plain Spacer
YZ 85	SP108	SP108-T	6202	25*35*7	SP108-1	SP108-2
YZ 125/250 YZF 250/450	SP185	SP185-T	6905	30*42*7	SP185-4	SP185-5
WRF 240/400/450	SP154	SP154-T	6905	30*42*7	SP154-1	SPEEDO DRIVE
WR 250R	SP186	SP186-T	6203	25*40*7	SP186-1	SP186-2
WR 250X	SP187	SP187-T	6203	25*40*7	SP187-1	SP187-2



Model	1.Hub Fitment	2.Tube	3.Bearing	4.Seal	5.Disc Spacer	6.Plain Spacer
RM 85	SP108	SP108-T	6202	25*35*7	SP108-1	SP108-2
RM 125/250	SP192	SP192-T	6905	30*42*7	SP192-1	SP192-2
RMZ 250/450	SP175	SP175-T	6905	30*42*7	SP175-1	SP175-1
DRZ 400E	SP145	SP145-T	6905	30*42*7	SP145-1	SP145-2
Suzuki DR650	SP148	SP148-T	6003	25*35*7	SP148-1	None



Model	1.Hub Fitment	2.Tube	3.Bearing	4.Seal	5.Disc Spacer	6.Plain Spacer
TC 50	SP300	SP300-T	6203	25*40*7	SP300-2	SP300-3
TC 65	SP302	SP302-T	6003	25*35*7	SP302-3	SP302-4
TC 85	SP301	SP301-T	6905	30*42*7	SP301-2	SP301-3
TC/FC/TE/FE 125-501	SP157	SP157-T	6906	35*47*7	SP157-22-1	SP157-22-2



Model	1.Hub Fitment	2.Tube	3.Bearing	4.Seal	5.Disc Spacer	6.Plain Spacer
TE/FE All Models 250-501	SP157	SP157-T	6906	35*47*7	SP157-22-1	SP157-22-2



Model	1.Hub Fitment	2.Tube	3.Bearing	4.Seal	5.Disc Spacer	6.Plain Spacer
SER/SEF 4T & 2T Enduro Models	SP190	SP190-T	6004	25*42*7	SP190-1	SP190-1



Model	1.Hub Fitment	2.Tube	3.Bearing	4.Seal	5.Disc Spacer	6.Plain Spacer
EC Enduro Models	SP167	SP167-T	6905	30*42*7	SP167-1	SP167-1
	SP169	SP169-T	6905	30*42*7	SP169-1	SP169-2

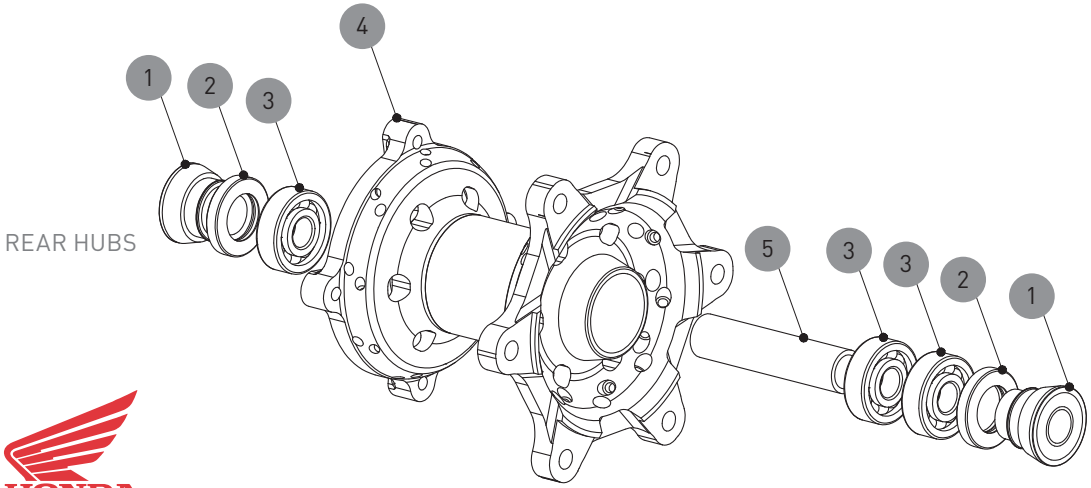


Model	1.Hub Fitment	2.Tube	3.Bearing	4.Seal	5.Disc Spacer	6.Plain Spacer
RR 4T & 2T Enduro Models	SP191	SP191-T	6906	35*47*7	SP191-1	SP191-1



Model	1.Hub Fitment	2.Tube	3.Bearing	4.Seal	5.Disc Spacer	6.Plain Spacer
TM M/X 2017 on	SP165	SP165-T	6905	30*42*7	SP165-1	SP165-1

HUB FITMENT AND REPLACEMENT PARTS



Model	1.Hub Fitment	2.Tube	3.Bearing	4.Seal	5.Disc Spacer	6.Plain Spacer
CR 80/85	SP103	SP103-T	6202	25*35*7	SP103-1	SP103-1
CRF 150	SP068	SP068-T	6003	25*35*7	SP068-1	SP068-2
CR 125/250 2002-2007	SP047	SP047-T	6005	30*47*7	SP047-1	SP047-1
CRF 250 2004-13, CRF 450 2002-12	SP047	SP047-T	6005	30*47*7	SP047-1	SP047-1
CRF 250 2014-19, CRF 450 2013-19	SP012	SP012-T	6005	30*47*7	SP012-1	SP012-2
CRF 250L	SP045	SP045-T	6203	25*40*7	SP045-1	SP045-2
CRF 250X/450X	SP047	SP047-T	6005	30*47*7	SP047-1	SP047-1

Kawasaki

Model	1.Hub Fitment	2.Tube	3.Bearing	4.Seal	5.Disc Spacer	6.Plain Spacer
KX 65	SP027	SP027-T	6202	25*35*7	SP027-1	SP027-2
KX 80/85	SP042	SP042-T	6004	30*42*7	SP042-1	SP042-1
KX 125/250 KXF 250/450	SP053	SP053-T	6005	30*47*7	SP053-1	SP053-1



Model	1.Hub Fitment	2.Tube	3.Bearing	4.Seal	5.Disc Spacer	6.Plain Spacer
SX 50 2004-13	SP066	SP066-T	6203	25*40*7	SP066-1	SP066-2
SX 50 2014-19	SP067	SP067-T	6003	25*35*7	SP067-1	SP067-2
SX 65	SP049	SP049-T	6003	25*35*7	SP049-3	SP049-4
SX 85	SP057	SP057-T	6005	30*47*7	SP057-1	SP057-1
SX/SXF/EXC/EXCF 125- 500 20mm Axle	SP052	SP052-T	6005	30*47*7	SP052-1-12	SP052-2-12
SX/SXF/EXC/EXCF 125- 500 25mm Axle	SP052	SP052-T	6005	30*47*7	SP052-13	SP052-13
Freeride	SP057	SP057-T	6005	30*47*7	SP057-1	SP057-1



Model	1.Hub Fitment	2.Tube	3.Bearing	4.Seal	5.Disc Spacer	6.Plain Spacer
YZ 85	SP010	SP010-T	6202	25*35*7	SP010-1	SP010-2
YZ 125/250 YZF 250/450	SP074	SP074-T	6005	30*47*7	SP074-1	SP074-2
WRF 250/400/450	SP074	SP074-T	6005	30*47*7	SP074-3	SP074-3
WR 250 R/X	SP082	SP082-T	6005	30*47*7	SP082-1	SP082-2



Model	1.Hub Fitment	2.Tube	3.Bearing	4.Seal	5.Disc Spacer	6.Plain Spacer
RM 85	SP010	SP010-T	6202	25*35*7	SP010-1	SP010-2
RM 125/250	SP092	SP092-T	6005	30*47*7	SP092-1	SP092-2
RMZ 250/450	SP063	SP063-T	6005	30*47*7	SP063-1	SP063-1
DRZ 400E	SP044	SP044-T	6005	30*47*7	SP044-1	SP044-2



Model	1.Hub Fitment	2.Tube	3.Bearing	4.Seal	5.Disc Spacer	6.Plain Spacer
TC 50	SP067	SP067-T	6003	25*35*7	SP067-1	SP067-2
TC 65	SP049	SP049-T	6003	25*35*7	SP049-3	SP049-4
TC 85	SP057	SP057-T	6005	30*47*7	SP057-1	SP057-1
TC/FC/TE/FE 125-501	SP052	SP052-T	6005	30*47*7	SP052-13	SP052-13



Model	1.Hub Fitment	2.Tube	3.Bearing	4.Seal	5.Disc Spacer	6.Plain Spacer
TE/FE All Models 250-501	SP052	SP052-T	6005	30*47*7	SP052-13	SP052-13



Model	1.Hub Fitment	2.Tube	3.Bearing	4.Seal	5.Disc Spacer	6.Plain Spacer
SER/SEF 4T & 2T Enduro Models	SP090	SP090-T	6005	32*47*7	SP090-1	SP090-2



Model	1.Hub Fitment	2.Tube	3.Bearing	4.Seal	5.Disc Spacer	6.Plain Spacer
EC Enduro Models	SP058	SP058-T	6005	30*47*7	SP058-1	SP058-2
	SP069	SP069-T	6005	30*47*7	SP069-1	SP069-2



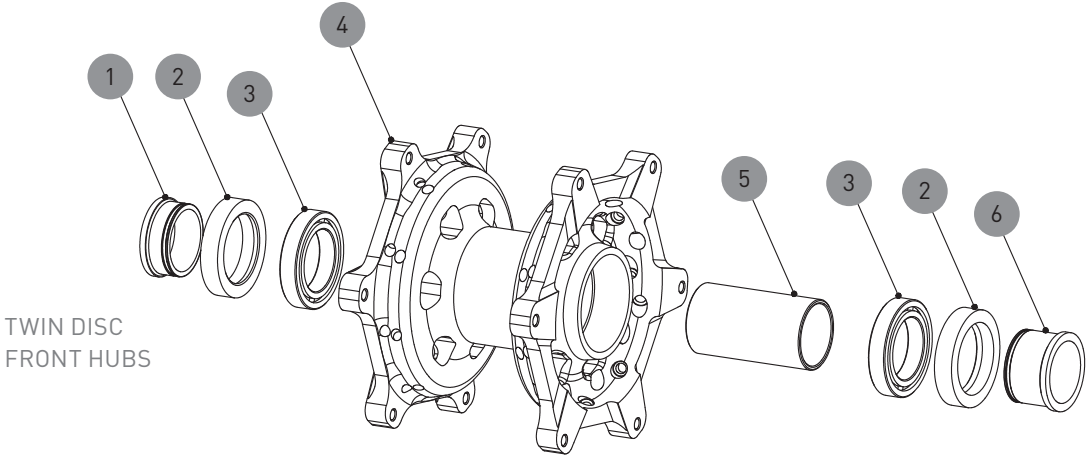
Model	1.Hub Fitment	2.Tube	3.Bearing	4.Seal	5.Disc Spacer	6.Plain Spacer
RR 4T & 2T Enduro Models	SP091	SP091-T	6005	30*47*7	SP091-1	SP091-2



Model	1.Hub Fitment	2.Tube	3.Bearing	4.Seal	5.Disc Spacer	6.Plain Spacer
TM M/X 2017 on	SP065	SP065-T	6905	32*42*7	SP065-1	SP065-1

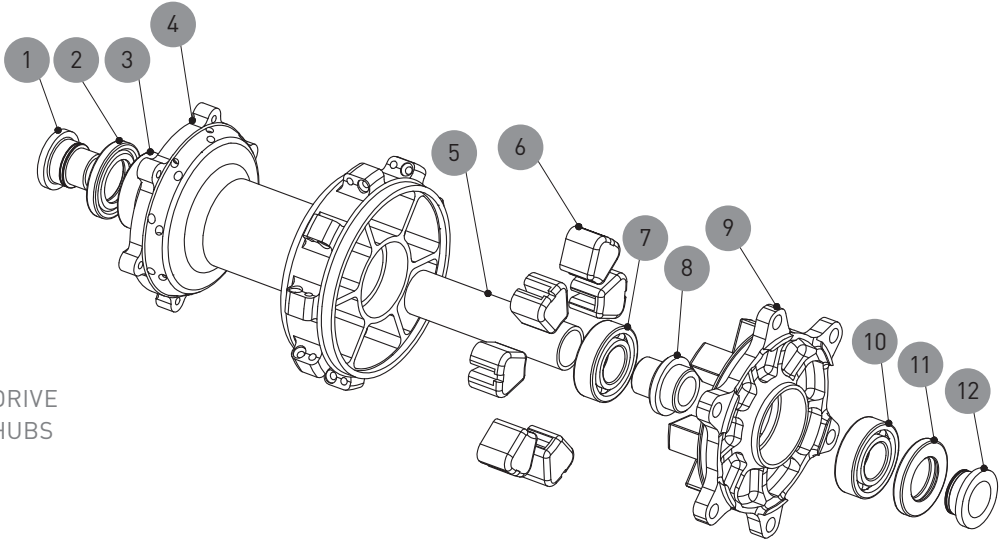


HUB FITMENT AND REPLACEMENT PARTS



Model	1.Hub Fitment	2.Tube	3.Bearing	4.Seal	5.Long Spacer	6.Short Spacer
BMW F800GS	SP811	SP811-T	6204	25*47*7	SP811-1	
CRFL 1000 Africa Twin	SP815	SP815-T	6004	30*42*7	SP815-1	SP815-1
KTM 950/990	SP812	SP812-T	6906	35*47*47	SP812-1	SP812-2

HUB FITMENT AND REPLACEMENT PARTS



CUSH DRIVE
REAR HUBS

Model	Hub Fitment	Tube	Bearing	Seal	Sprocket Spacer	Disc Spacer	Carrier Spacer	Carrier	Cush Rubber
BMW F800GS	SP714	SP714-T	6204	30*47*7	SP714-1	SP714-2	SP714-3	SP712-C	SP714-R
CRFL 1000 Africa Twin	SP715	SP715-T	6204	30*47*7	SP715-1	SP715-2	SP715-3	SP715-C	SP715-R
KTM 950/990	SP712	SP712-T	6205	30*52*7	SP712-1	SP712-2	SP712-3 & SP712-4	SP712-C	SP715-R
KTM 690	SP813	SP813-T	6205 & 6006	30*52*7	SP813-1	SP813-2	SP813-3	SP813-C	SP813-R
DR 650	SP060	SP060-T	6205 & 6204	30*52*7	SP060-1	SP060-2	SP060-3	SP060-C	SP060-R
All Honda CRF 2013 on	SP816	SP816-T	6005 & 6205	30*47*7	SP816-1	SP816-2	SP816-2	SP816-C	SP816-R
All KTM before 2013	SP832	SP832-T	6005 & 6006	30*47*7	SP832-1	SP832-2	SP832-3	SP832-C	SP832-R
All KTM 2013 on	SP832	SP832-T	6005 & 6006	30*47*7	SP832-4	SP832-5	SP832-6	SP832-C	SP832-R
Yamaha 125/250 with 22mm spindle	SP874	SP874-T	6005 & 6205	30*47*7	SP874-1	SP874-2	SP874-3	SP874-C	SP874-R
Yamaha 250/450F 2014 on with 25mm spindle	SP874	SP874-T	6005 & 6205	30*47*7	SP874-4	SP874-5	SP874-6	SP874-C	SP874-R

OEM SPOKE FITMENTS



All our 'Bulldog' spokes are manufactured from High Tensile Stainless Steel and for an extra cost can be powdercoated in a colour of your choice or chemically blacked.

Aluminium nipples can be included to gain the strongest and lightest wheel combination and can also be hard anodised to a colour of your choice or can be Nickel plated Steel or Brass. (See page 5 for all colours options available)



Model	Year	Rim	Spokes	Position	Spoke Part Number	
CR 80/85	1996-07	17"	28	Front	SS.18.23.10.B	
CR 80/85	1996-07	19"	28	Front	SS.42.23.10.B	
CRF 150	2007-19	17"	32	Front	SS.18.23.34	*Supermoto*
CRF 150	2007-19	19"	32	Front	SS.42.23.34	
CR 125/250/500 CRF 250/450 CRF 250X/450X	1995-19	17"	36	Front	SS.25.23.01	*Supermoto*
CR 125/250/500 CRF 250/450 CRF 250X/450X	1995-19	21"	36	Front	SS.50.23.01	
CR 80/85	1996-07	14"	32	Rear	SS.05.23.11.C	
CR 80/85	1996-07	16"	32	Rear	SS.08.23.11.C	
CRF 150	2007-19	14"	32	Rear	SS.05.23.25	
CRF 150	2007-19	16"	32	Rear	SS.08.23.25	
CR 125/250/500 CRF250/450 CRF 250X/450X	1989-19	17"	32	Rear	SS.26.23.02	*Supermoto*
CR 125/250/500 CRF250/450 CRF 250X/450X	1989-19	18"	32	Rear	SS.33.23.02	
CR 125/250/500 CRF250/450 CRF 250X/450X	1989-19	19"	32	Rear	SS.44.23.02	



Model	Year	Rim	Spokes	Position	Spoke Part Number	
KX 85	1998-19	17"	32	Front	SS.18.25.10	
KX 85	1998-19	19"	32	Front	SS.42.25.10	
KX 125/250	1999-05	21"	36	Front	SS.50.25.01.D	
KX 125/250 KXF 250/450	2006-19	17"	36	Front	SS.25.25.01.E	*Supermoto*
KX 125/250 KXF 250/450	2006-19	21"	36	Front	SS.50.25.01.E	
KX 80/85	1988-19	14"	32	Rear	SS.05.25.11	
KX 80/85	1988-19	16"	32	Rear	SS.08.25.11	
KX 125/250/500	1989-02	17"	36	Rear	SS.26.25.02	*Supermoto*
KX 125/250 KXF250/450	2003-19	17"	36	Rear	SS.26.25.03	*Supermoto*
KX 125/250/500	1989-02	18"	36	Rear	SS.33.25.02	
KX 125/250 KXF250/450	2003-19	18"	36	Rear	SS.33.25.03	
KX 125/250/500	1989-02	19"	36	Rear	SS.44.25.02	
KX 125/250 KXF250/450	2003-19	19"	36	Rear	SS.44.25.03	



Model	Year	Rim	Spokes	Position	Spoke Part Number	
SX 50	2004-11	12"	32	Front	SS.02.28.10.B	
	2012-19	12"	32	Front	SS.02.28.10.C	
SX 50	2004-11	14"	32	Front	SS.04.28.10.B	
	2012-19	14"	32	Front	SS.04.28.10.C	
SX 65	2003-11	14"	32	Front	SS.04.28.12.A	
	2012-19	14"	32	Front	SS.04.28.12.B	
SX 85	2008-11	17"	32	Front	SS.18.28.14.A	
	2012-19	17"	32	Front	SS.18.28.14.B	
SX 85	2008-11	19"	32	Front	SS.42.28.14.A	
	2012-19	19"	32	Front	SS.42.28.14.B	
SX/SXF/EXC Models	2000-07	17"	36	Front	SS.25.28.01.B	*Supermoto*
	2008-19	17"	36	Front	SS.25.28.01.C	*Supermoto*
SX/SXF/EXC Models	2000-07	21"	36	Front	SS.50.28.01.B	
	2008-19	21"	36	Front	SS.50.28.01.C	
SX 50	2009-13	10"	32	Rear	SS.01.28.11.C	
	2014-19	10"	32	Rear	SS.01.28.11.D	
SX 50	2009-13	12"	32	Rear	SS.02.28.11.C	
	2014-19	12"	32	Rear	SS.02.28.11.D	
SX 65	2003-08	12"	32	Rear	SS.02.28.13.A	
	2009-19	12"	32	Rear	SS.02.28.13.B	
SX 85	2008-11	14"	32	Rear	SS.05.28.15.A	
	2012-19	14"	32	Rear	SS.05.28.15.B	
SX 85	2008-11	16"	32	Rear	SS.08.28.15.A	
	2012-19	16"	32	Rear	SS.08.28.15.B	
SX/SXF/EXC/EXCF Models	2000-19	17"	36	Rear	SS.26.28.02.B	*Supermoto*
SX/SXF/EXC/EXCF Models	2000-19	18"	36	Rear	SS.33.28.02.B	
SX/SXF/EXC/EXCF Models	2000-19	19"	36	Rear	SS.44.28.02.B	



Model	Year	Rim	Spokes	Position	Spoke Part Number	
RM 85	2002-19	17"	32	Front	SS.18.24.11	
RM 85	2002-19	19"	32	Front	SS.42.24.11	
RM 125/250	1999-10	17"	36	Front	SS.25.24.01	
RM 125/250	1999-10	21"	36	Front	SS.50.24.01	
RMZ 250/450 RMX 450	2007-19	17"	36	Front	SS.25.24.03	*Supermoto*
RMZ 250/450 RMX 450	2007-19	21"	36	Front	SS.50.24.03	
RM 85	2002-19	14"	32	Rear	SS.05.24.12	
RM 85	2002-19	16"	32	Rear	SS.08.24.12	
RM 125/250	1999-10	17"	36	Rear	SS.26.24.10	*Supermoto*
RM 125/250	1999-10	18"	36	Rear	SS.33.24.10	
RM 125/250	1999-10	19"	36	Rear	SS.44.24.10	
RMZ 250/450 RMX 450	2007-19	17"	36	Rear	SS.26.24.02.B	*Supermoto*
RMZ 250/450 RMX 450	2007-19	18"	36	Rear	SS.33.24.02.B	
RMZ 250/450 RMX 450	2007-19	19"	36	Rear	SS.44.24.02.B	



Model	Year	Rim	Spokes	Position	Spoke Part Number	
YZ 85	2002-19	17"	32	Front	SS.18.26.11	
YZ 85	2002-19	19"	32	Front	SS.42.26.11	
YZ125/250	1992-19	17"	36	Front	SS.25.26.01.D	
YZF 250/400/426/450	2000-19	17"	36	Front	SS.25.26.01.D	*Supermoto*
YZ125/250	1992-19	21"	36	Front	SS.50.26.01.D	
YZF 250/400/426/450	2000-19	21"	36	Front	SS.50.26.01.D	
YZ 85	2002-19	14"	32	Rear	SS.05.26.12	
YZ 85	2002-19	16"	32	Rear	SS.08.26.12	
YZ 125/250 YZF 250/400/426/450	1988-08	17"	36	Rear	SS.26.26.02.B	*Supermoto*
YZ 125/250 YZF 250/450	2009-19	17"	36	Rear	SS.26.26.02.C	*Supermoto*
YZ 125/250 YZF 250/400/426/450	1988-08	18"	36	Rear	SS.33.26.02.B	
YZ 125/250 YZF 250/450	2009-19	18"	36	Rear	SS.33.26.02.C	
YZ 125/250 YZF 250/400/426/450	1988-08	19"	36	Rear	SS.44.26.02.B	
YZ 125/250 YZF 250/450	2009-19	19"	36	Rear	SS.44.26.02.C	

Spoke nipples can also be supplied with your spokes in Nickel plated steel or brass and in Aluminium with a hard finish. The Aluminium Nipples are both weight saving and can be provided in a range of colours (see page 4).

NICKEL PLATED BRASS/STEEL NIPPLES

Description	Nipple Part Number
7 Gaugex7.60mm	XX.07.300
8 Gaugex7.60mm	XX.08.300
9 Gaugex6.40mm	XX.09.250
9 Gaugex7mm	XX.09.275
9 Gaugex7.60mm	XX.09.300
10 Gaugex6.40mm	XX.10.250
10 Gaugex7mm	XX.10.275
10 Gaugex7.60mm	XX.10.300

For Nickel Plated Brass replace XX with NB and Nickel Plated Steel with NS.

ALUMINIUM NIPPLES

Description	Nipple Part Number
7 Gaugex8.25mm	NA.07.325.XX
8 Gaugex7.60mm	NA.08.300.XX
8 Gaugex8.25mm	NA.08.325.XX
9 Gaugex7.60mm	NA.09.300.XX
9 Gaugex8.25mm	NA.09.325.XX
10 Gaugex7.60mm	NA.10.300.XX

For Aluminium Nipples replace XX for choice of colour nipple. See page 5 for choice of colours.





SMPRO SPOKE FITMENTS

All our 'Bulldog' spokes are manufactured from High Tensile Stainless Steel and for an extra cost can be powdercoated in a colour of your choice or chemically blacked.

Aluminium nipples can be included to gain the strongest and lightest wheel combination and can also be hard anodised to a colour of your choice or can be Nickel plated Steel or Brass.
(See page 5 for all colours options available).



Model	Year	Rim	Spokes	Position	Spoke Part Number	
CR 85	2003-07	17"	32	Front	SS.20.23.101	
CR 80/85	2003-07	19"	32	Front	SS.42.23.101	
CRF 150	2007-19	17"	32	Front	SS.20.23.181	
CRF 150	2007-19	19"	32	Front	SS.42.23.181	
CR 125/250 CRF 250/450 CRF 250X/450X	2002-19	17"	36	Front	SS.25.23.153	*Supermoto*
CR 125/250 CRF 250/450 CRF 250X/450X	2002-19	21"	36	Front	SS.50.23.153	
CR 85	2003-07	14"	32	Rear	SS.05.23.001	
CR 85	2003-07	16"	32	Rear	SS.08.23.001	
CRF 150	2007-19	14"	32	Rear	SS.05.23.068	
CRF 150	2007-19	16"	32	Rear	SS.08.23.068	
CR 125/250 CRF 250/450 CRF 250X/450X	2002-12	17"	36	Rear	SS.26.23.047	*Supermoto*
CRF 250/450	2013-19	17"	36	Rear	SS.26.23.012	
CR 125/250 CRF 250/450 CRF 250X/450X	2002-19	18"	36	Rear	SS.33.23.047	
CRF 250/450	2013-19	18"	36	Rear	SS.33.23.012	
CR 125/250 CRF 250/450 CRF 250X/450X	2002-19	19"	36	Rear	SS.44.23.047	
CRF 250/450	2013-19	19"	36	Rear	SS.44.23.012	

Kawasaki

Model	Year	Rim	Spokes	Position	Spoke Part Number	
KX 65	2000-19	14"	32	Front	SS.04.25.130	
KX 65	2000-19	17"	32	Front	SS.18.25.130	
KX 85	2001-19	17"	32	Front	SS.20.25.143	
KX 85	2001-19	19"	32	Front	SS.42.25.143	
KX 125/250 KXF 250/450	2006-19	17"	36	Front	SS.25.25.176	*Supermoto*
KX 125/250 KXF 250/450	2006-19	21"	36	Front	SS.50.25.176	
KX 65	2000-19	12"	32	Front	SS.02.25.027	
KX 65	2000-19	14"	32	Front	SS.05.25.027	
KX 85	2001-19	14"	32	Rear	SS.05.25.042	
KX 85	2001-19	16"	32	Rear	SS.08.25.042	
KX 125/250 KXF 250/450	2006-19	17"	36	Rear	SS.26.25.053	*Supermoto*
KX 125/250 KXF 250/450	2006-19	18"	36	Rear	SS.33.25.053	
KX 125/250 KXF 250/450	2006-19	19"	36	Rear	SS.44.25.053	



Model	Year	Rim	Spokes	Position	Spoke Part Number	
SX 50	2006-19	12"	32	Front	SS.02.28.300	
SX 50	2006-19	14"	32	Front	SS.04.28.300	
SX 65	2006-11	14"	32	Front	SS.04.28.150	
	2012-19	14"	32	Front	SS.04.28.302	
SX 65	2006-11	17"	32	Front	SS.18.28.150	
	2012-19	17"	32	Front	SS.18.28.302	
SX 85	2008-11	17"	32	Front	SS.20.28.162	
SX 85	2012-19	17"	32	Front	SS.20.28.301	
SX 85	2008-11	19"	32	Front	SS.42.28.162	
SX 85	2012-19	19"	32	Front	SS.42.28.301	
SX/SXF/EXC/EXCF Models	2003-19	17"	36	Front	SS.25.28.157	*Supermoto*
SX/SXF/EXC/EXCF Models	2003-19	21"	36	Front	SS.50.28.157	
SX 50	2004-13	10"	32	Rear	SS.01.28.066	
	2014-19	10"	32	Rear	SS.01.28.067	
SX 50	2004-13	12"	32	Rear	SS.02.28.066	
	2014-19	12"	32	Rear	SS.02.28.067	
SX 65	2003-19	12"	32	Rear	SS.02.28.049	
SX 65	2003-19	14"	32	Rear	SS.05.28.049	
SX 85	2008-19	14"	32	Rear	SS.05.28.057	
SX 85	2008-19	16"	32	Rear	SS.08.28.057	
SX/SXF/EXC/EXCF Models	2003-19	17"	36	Rear	SS.26.28.052	*Supermoto*
SX/SXF/EXC/EXCF Models	2003-19	18"	36	Rear	SS.33.28.052	
SX/SXF/EXC/EXCF Models	2003-19	19"	36	Rear	SS.44.28.052	



Model	Year	Rim	Spokes	Position	Spoke Part Number	
RM 85 & YZ 85	2002-19	17"	32	Front	SS.20.24.108	
RM 85 & YZ 85	2002-19	19"	32	Front	SS.42.24.108	
RMZ 250/450 RMX 450	2007-19	17"	36	Front	SS.25.24.175	
RMZ 250/450 RMX 450	2007-19	21"	36	Front	SS.50.24.175	
RM 85 & YZ 85	2002-19	14"	32	Rear	SS.05.24.010	
RM 85 & YZ 85	2002-19	16"	32	Rear	SS.08.24.010	
RMZ 250/450 RMX 450Z	2007-19	17"	36	Rear	SS.26.24.063	*Supermoto*
RMZ 250/450 RMX 450Z	2007-19	18"	36	Rear	SS.33.24.063	
RMZ 250/450 RMX 450Z	2007-19	19"	36	Rear	SS.44.24.063	



Model	Year	Rim	Spokes	Position	Spoke Part Number	
YZ 85 & RM 85	2002-19	17"	32	Front	SS.20.24.108	
YZ 85 & RM 85	2002-19	19"	32	Front	SS.42.24.108	
YZ 125/250 YZF 250/450	2007-19	17"	36	Front	SS.25.25.185	*Supermoto*
YZ 125/250 YZF 250/450	2007-19	21"	36	Front	SS.50.26.185	
YZ 85 & RM 85	2002-19	14"	32	Rear	SS.05.24.010	
YZ 85 & RM 85	2002-19	16"	32	Rear	SS.08.24.010	
YZ 125/250 YZF 250/450	2007-19	17"	36	Rear	SS.26.26.074	*Supermoto*
YZ 125/250 YZF 250/450	2007-19	18"	36	Rear	SS.33.26.074	
YZ 125/250 YZF 250/450	2007-19	19"	36	Rear	SS.44.26.074	

SPEEDWAY

Model	Year	Rim	Spokes	Position	Spoke Part Number	
Speedway Junior	N/A	19"	36	Front	SS.42.55.901	
Speedway Senior	N/A	23"	36	Front	SS.58.55.901	
Speedway Junior	N/A	17"	36	Rear	SS.21.55.902	
Speedway Senior	N/A	19"	36	Rear	SS.44.55.902	

Spoke nipples can also be supplied with your spokes in Nickel plated steel or brass and in Aluminium with a hard finish. The Aluminium Nipples are both weight saving and can be provided in a range of colours (see page 4).

NICKEL PLATED BRASS/STEEL NIPPLES

Description	Nipple Part Number
7 Gauge x 7.60mm	XX.07.300
8 Gauge x 7.60mm	XX.08.300
9 Gauge x 6.40mm	XX.09.250
9 Gauge x 7mm	XX.09.275
9 Gauge x 7.60mm	XX.09.300
10 Gauge x 6.40mm	XX.10.250
10 Gauge x 7mm	XX.10.275
10 Gauge x 7.60mm	XX.10.300

For Nickel Plated Brass replace XX with NB and Nickel Plated Steel with NS.

ALUMINIUM NIPPLES

Description	Nipple Part Number
7 Gauge x 8.25mm	NA.07.325.XX.
8 Gauge x 7.60mm	NA.08.300.XX.
8 Gauge x 8.25mm	NA.08.325.XX.
9 Gauge x 7.60mm	NA.09.300.XX.
9 Gauge x 8.25mm	NA.09.325.XX.
10 Gauge x 7.60mm	NA.10.300.XX.

For Aluminium Nipples replace XX for choice of colour nipple. See page 5 for choice of colours.

SMPRO BRAKE DISCS



These laser cut and diamond parallel surface ground brake discs ensure perfect flatness.

They are manufactured from specifically blended 410 grade Stainless Steel. The design increases the temperature resistance for superior toughness. The specifically designed cooling slots allow for the ultimate braking experience.

Our Brake Disc range covers Front and Rear wheel discs for all the leading Honda, Kawasaki, Suzuki, Yamaha, KTM and Husqvarna offroad motorcycles.



Standard Brake Disc.



Model	Year	Front Disc (mm)	Year	Rear Disc (mm)
CR 80/85	1996-07	TM.707.FD (220)	1996-07	RM.710.RD (190)
CRF 150	2007-19	TM.707.FD (220)	2007-19	RM.710.RD (190)
CR 125/250	1995-07	TM.708.FD (240)	2002-07	RM.703.RD (240)
CRF 250R	2004-14	TM.708.FD (240)	2004-19	RM.703.RD (240)
CRF 450R	2002-14	TM.708.FD (240)	2002-19	RM.703.RD (240)
CRF 250X/450X *Speedo Drive*	2004-19	TM.708.FD (240)	2004-19	RM.703.RD (240)
CRF 250R *260mm*	2015-19	TM.708.FX (260)	2015-19	RM.703.RD (240)
CRF 450R *260mm*	2015-19	TM.708.FX (260)	2015-19	RM.703.RD (240)

Kawasaki

Model	Year	Front Disc (mm)	Year	Rear Disc (mm)
KX 80/85	2003-19	TM.721.FD (220)	2003-19	RM.702.RD
KX 125/250	2003-05	TM.703.FD (250)	2003-05	RM.706.RD (240)
KX 125/250	2006-08	TM.704.FD (250)	2006-08	RM.706.RD (240)
KXF 250/450	2004-05	TM.703.FD (250)	2004-05	RM.706.RD (240)
KXF 250/450	2006-14	TM.704.FD (250)	2006-14	RM.706.RD (240)
KXF 250	2015-19	TM.704.FX (270)	2015-19	RM.706.RD (240)
KXF 450	2015-19	TM.704.FX (270)	2015-19	RM.706.RD (240)



Model	Year	Front Disc (mm)	Year	Rear Disc (mm)
SX 65	2000-19	TM.718.FD (200)	2000-19	RM.718.RD (160)
SX 85	2003-14	TM.719.FD (200)	2003-10	RM.719.RD (200)
SX 85	2015-19	TM.741.FD (240)	2011-19	RM.740.RD (210)
SX/SXF All Models 125-450	1996-19	TM.701.FD (260)	1996-19	RM.704.RD (220)
EXC/EXCF All Model 125-500	1996-19	TM.701.FD (260)	1996-19	RM.704.RD (220)
Freeride	2012-14	TM.719.FD (200)	2012-14	RM.740.RD (210)
Freeride	2015-19	TM.741.FD (240)	2015-19	RM.740.RD (210)



Model	Year	Front Disc (mm)	Year	Rear Disc (mm)
RM 85	2005-19	TM.722.FD (220)	2005-19	RM.722.RD (200)
RM 125/250	1996-08	TM.709.FD (250)	1999-08	RM.707.RD (240)
RMZ 250	2004-06	TM.703.FD (250)	2004-06	RM.706.RD (240)
RMZ 250	2007-19	TM.710.FD (250)	2007-19	RM.708.RD (240)
RMZ 450	2005-19	TM.710.FD (250)	2005-19	RM.708.RD (240)
DRZ 400E	2000-09	TM.709.FD (250)	2000-09	RM.707.RD (240)



Model	Year	Front Disc (mm)	Year	Rear Disc (mm)
YZ 85	2002-19	TM.722.FD (220)	2002-19	RM.721.RD (190)
YZ 125/250	2001-19	TM.709.FD (250)	2002-19	RM.709.RD (245)
YZF 250/450	2001-19	TM.709.FD (250)	2002-19	RM.709.RD (245)
WRF 250/400/450	2001-19	TM.709.FD (250)	2002-19	RM.709.RD (245)



Model	Year	Front Disc (mm)	Year	Rear Disc (mm)
TC 65	2017 on	TM.718.FD (200)	2017 on	RM.718.RD (160)
TC 85	2014-19	TM.741.FD (240)	2013-19	RM.740.RD (210)
TC/FC All Models 125-501	2013-19	TM.701.FD (260)	2013-19	RM.704.RD (220)
TE/FE All Models 125-501	2013-19	TM.701.FD (260)	2013-19	RM.704.RD (220)

270MM OVERSIZED FLOATING BRAKE DISC

Model	Year	Front Disc (mm)	Adapter
KTM SX/SXF/EXC/SXCF 125-625 Models	1996-19	SM.701.FX (270)	K018
Husqvarna TE/TC/FE/FC 125-501 Models	2014-19	SM.701.FX (270)	K618
Husaberg FE/FC/FS/TE 125-650 Models	1999-19	SM.701.FX (270)	K618
Suzuki RM 125/250	1996-08	SM.709.FX (270)	K012
Suzuki YZ/YZF/WRF	2001-19	SM.709.FX (270)	K012
Suzuki DRZ 400	2000-09	SM.709.FX (270)	K012
Suzuki RMZ 250	2007-19	SM.710.FX (270)	K012
Suzuki RMZ 450	2005-19	SM.710.FX (270)	K012

280MM OVERSIZED FLOATING BRAKE DISC

Model	Year	Front Disc (mm)	Adapter
Honda CRF 250R/450R	2004-19	SM.708.FX (280)	K718
Honda CRF X	2004-12	SM.708.FX (280)	K718



Floating Brake Disc.

BRAKE DISC GUARD SPACER



Disc Guard Spacer Information:

Now available - The new SMPro Disc Guard Spacer allows you to mount your Acerbis, KTM Powerparts or 'other' disc guard cover to your SMPro Wheels with SMPro Hubs.

The SMPro Spacer comes complete with the washers and bolts to fit your Disc guard directly onto, hassle free. Please note, the mounting kit for the SMPro Hub will ONLY work with the SMPro Hub, whereas the mounting kit from Acerbis (Or KTM) is designed to work with ONLY the OEM Hub and NOT the SMPro Hub.

They are available to order and in stock for most current fitments. For any further information on our Disc Guard Spacer please get in touch and a member of our team will be more than willing to help you.'

Please note, the SMPro mounting kit does not work with 'all' brands of disc guard covers.



 **Kawasaki**

Model	Year	Wheel Part Number
Kawasaki KX125/250	2006-08	SP176-20-FDG
Kawasaki KXF250/450	2006-19	SP176-20-FDG



Model	Year	Wheel Part Number
KTM SX/SXF	2003-14	SP157-26-FDG
KTM EXC/EXCF	2004-19	SP157-26-FDG



Model	Year	Wheel Part Number
Suzuki RMZ 250/450	2007-19	SP175-22-FDG
Suzuki RM125/250	1999-08	SP192-20-FDG



Model	Year	Wheel Part Number
Yamaha YZ125/250 (33mm spacer)	2002-19	SP185-20-FDG
Yamaha YZF250/450 (33mm spacer)	2002-13	SP185-20-FDG
Yamaha YZF250/450 (19mm spacer)	2014-19	SP185-22-FDG



Model	Year	Wheel Part Number
Husqvarna TC/FC	2015-19	SP157-22-FDG
Husqvarna TE/FE	2016-19	SP157-22-FDG
Husqvarna TC/FC	2014	SP157-26-FDG
Husqvarna TE/FE	2014-2015	SP157-26-FDG



Model	Year	Wheel Part Number
Husaberg TE/FE 250-501	2003-2014	SP157-26-FDG
Enduro All Models	2004-19	SP167-25-FDG



Model	Year	Wheel Part Number
Sherco All SER/SEF models	All Years	SP190-20-FDG



Model	Year	Wheel Part Number
Beta All RR models	2013-19	SP191-25-FDG

SUPERMOTO DISC COMBOS



Supermoto Disc and Mounting Bracket & Moto-Master Flame Supermoto 'Street' Disc.

Ideal solution for riders who want a race orientated performance without switching to a full Supermoto racing set up.

320mm floating rotor disc designed for use with OEM Supermoto racing brake caliper. Mounting Bracket included.

Get the Flame advantage

- Maximum control- flame shape ensures constant contact with brake disc and pad for smooth and predictable braking
- Reduced brake pad wearflame designs ensures constant support for brake pads, reducing tilt under high pressure.
- Cooling and reduced weight
- Superior finish, reduced eroding
 - 4mm thick, lightweight stainless steel floater attachments, resulting in maximum strength and durability
 - available in 300mm and 320mm



Supermoto

Available to order - we are able to supply complete 320mm Front Disc conversion kits for 'most' common moto bikes. This allows us to really offer the complete super moto package along with wheels, and tyres. The kit includes a 320mm Floating front disc, and suitable billet aluminium mounting bracket to work with your OEM caliper. This package gives you the best solution for race orientated performance without the costs!

Please speak to a member of our team for more information on the disc set up you require.

AIRTIGHT SYSTEM



Central Wheel “Airtight” Tubeless system

Adapt your wire spoked wheels to accept tubeless tyres using our revolutionary “Airtight” Tubeless system. Ideal for Supermoto and Adventure bike wheels, also custom bike applications

The CWC “Airtight” system can be fitted onto any spoked wheel rim that has a safety hump (See images) allowing use of tubeless tyres.

Each wheel is custom fit with the “Airtight” band which is then vulcanised to form an airtight seal around every spoke nipple, creating an airtight environment suitable for fitment of a tubeless tyre.

Benefits:

- Reduced weight through not needing a tube
- Stops possible moisture seeping into the tyre well through the spoke nipples which can cause mild corrosion
- Allows better range of tyre with Tubeless option
- Patch kits available to allow for spoke replacement

Note that care should be taken when fitting tyres not to dislodge or tear the “Airtight band” suitable for modern day tyre machines.



BART FACTORY'S BART TUBELESS SYSTEM



BARTubeless®

This exclusive system seals any spoke rim allowing a spoke wheel to wear a tubeless tyre. It uses a polymer rubber band tailor-made for each wheel- granting the maximum air tightness.

Traditionally, spoked wheels and tubeless tyres do not merge. BARTubeless is the first system providing a cost effective and reliable transformation of a wired spoke rim into a tubeless one. This combines characteristics of both technologies- elasticity, resilience, versatility with reduced weight and friction.

Benefits:

- Lightweight
- Protects rim from oxidation- increasing durability and reducing maintenance
- Compatible with all motorbikes and rims with HUMPS
- Easy repair and spoke replacement



NUETECH TUBLISS SYSTEM



Tubliss is a tubeless system for motocross and enduro competition. It employs a dual Pressure Chamber system that replaces the conventional tube with a high pressure rim protecting inner bladder that acts as a 360degree rim lock that seals the tyre around the circumference of the rim.

This system allows for tyres to run on lower pressures than when using an inner tube, resulting in increased traction.

The inner bladder is inflated to 100psi locking the tyre to the rim and also acting as a rim protector. the outer chamber can be ran from 0 psi upwards depending on the ground conditions, this system also allows you to quickly fix punctures with a plug.

Benefits of the Nuotech's Tubliss system:

- The inner bladder, when inflated to 100psi, locks the tyre to the rim- acting as a rim protector.
- The outer chamber can be ran from 0psi upwards dependent on ground conditions- increasing ground traction
- Lighter than other HD or UHD tubes. improving acceleration, breaking and handling
- Fix punctures quickly with a plug!

Available in:

- 21 Gen 2 Dual air chamber 1.60
- 18 Gen 2 Dual air chamber 1.85-2.15
- 19 Gen Dual air chamber 1.85-2.15

NUETECH NITROMOUSSE



Nitromousse combines a high level concentration of Nitrogen into an incredibly tough micro-matrix of proprietary elastomers. This eliminates the dead feel and provides a much more lively, lighter and traction enhanced feel from the very first ride, as they do not need a break-in period.

Additionally, the proprietary formula and manufacturing process provides a mousse that will last up to twice as long making it very cost effective for you, the rider.

- Nitromousse provides a much more progressive, predictable and secure feel from the very first ride that will never leave you stuck with a flat!
- Nitromousse contains a high concentration of Nitrogen, which gives it a much plusher, pneumatic feel, eliminating the dreaded 'Dead' feel.
- The Nitrogen formula gives the Nitromousse a low pressure predictable ride, resisting impacts and increasing bump absorption.
- The Nitromousse compounds allow for a more lively progressive ride eliminating deflection and providing a lighter feel in motion.



- Nitromousse does not need a break-in period and has been designed and tested to perform consistently in temperature ranges from 0-38+ degrees Celsius.
- Nitromousse's performance and durability all come at an extremely attractive price.
- 21" fronts and 18" rears are available in standard format as well as a soft compound option to meet the needs of extreme enduro riders. This equates to a feel of approximately 0.2-0.3 bar less than the standard Nitromousse.

Part Number	General Tyre Fitment
NM21-220	Fits most tyres sized: 80/100-21 & 90/90-21*
NM21-235	Fits most tyres sized: 90/100-21*
NM19-255	Fits most tyres sized: 100/90-19*
NM19-280	Fits most tyres sized: 110/90-19 & 120/80-19*
NM18-270	Fits most tyres sized: 100/100-18*
NM18-285	Fits most tyres sized: 110/100-18*

Part Number	General Tyre Fitment
NM18-305	Fits most tyres sized: 120/100-18*
NM18-325	Fits most tyres sized: 140/80-18*
NM18-345	Fits most tyres sized: 140/100-18*
NM19-195M	Fits most tyres sized: 70/100-19*
NM16-235M	Fits most tyres sized: 90/100-16*

*Please refer to the Nitro mousse comprehensive fitment guide at www.smpro.co.uk to find the fitment for your individual tyre!

TYRES



Dunlop GPR-300 Lightweight Sport Tyre

Dunlop's latest creation in lightweight sports tyres is the GPR-300 with a new pattern designed to deliver safe performance in all street conditions. With a light and flexible construction, the tyre gives smooth predictable handling whilst all the while giving good stability. The new silica-blend compound improves both mileage and all important wet weather grip.

Dunlop delivers this all to you, combined with a seriously competitive price from SMPro! Please look at the size line up to find the size for your bike, or contact the sales team to talk through your options.

Dunlop GPR-300, a perfect addition to your SMPro wheels.



Tyre Size	Load Speed	Position
110/70R17 TL Sportmax GPR300F	54H	Front
120/60ZR17 TL Sportmax GPR300F	(55W)	Front
120/70ZR17 TL Sportmax GPR300F	(58W)	Front
150/60R17 TL Sportmax GPR300	66H	Rear
160/60ZR17 TL Sportmax GPR300	(69W)	Rear
180/55ZR17 TL Sportmax GPR300	(73W)	Rear

Other sizes available, just ask the sales team on 01675 462264. A full range of Dunlop tyres are stocked in all sizes for road, off road and race applications. Prices on request.

TYRES



SCORPION MX32

Pirelli Scorpion MX32 Mid Soft

Pirelli's World Championship winning tyre is available from SMPPro!

Featuring V-shaped blocks to improve braking stability and cornering side grip, which gives high performance consistency in severe racing conditions. The MX32 also has increased heat resistance for racing conditions coupled with reduced weight, without compromising on stability. Built with a special polyester carcass to give the ultimate in cornering performance.

The MX32 is available in standard & Mini-Cross sizes. Please see the size line up for your bike or call the sales team on 01675 462264



Tyre Size	Load Speed	Position
2.50-10 NHS	33J	Front
60/100-12 NHS	36M	Front
60/100-14 NHS	29M	Front
70/100-17 NHS	40M	Front
70/100-19 NHS	42M	Front
90/100-20 MST	56M	Front
80/100-21 MST	51M	Front
90/100-21 MST	57M	Front
2.75-10 NHS	37J	Rear
80/100-12 NHS	50M	Rear
90/100-14 NHS	49M	Rear
90/100-16 NHS	51M	Rear
100/90-19 NHS	57M	Rear
110/85-19 NHS	60M	Rear
110/90-19 NHS	62M	Rear
120/80-19 NHS	63M	Rear
120/90-19 NHS	66M	Rear

MST = Multi Service Tyre & Road Legal. NHS = Not For Highway Service. A full range of Pirelli tyres are stocked in all sizes for road, off road and race applications. Prices on request.

TYRES



MITAS E-07/ E-07 + Adventure-Sport Tyre

The Mitas E-07 is the true 50/50 tyre for Adventure riders. Due to its hardwearing compound and optimal performance on road as well as off road, the E-07 is a hugely popular choice with Adventure-sport riders around the globe.

The E-07 rear has been modified with an improved tread design to give sharper, more precise handling whilst still retain the classic attributes of the original pattern. The tread pattern on the rear (E-07+) has slightly wider tread grooves to better expel sand, mud and stones and the tyre is also made in a special 'Dakar' version suitable for higher loads, longer adventure trips and extreme conditions. The E-07/ E-07+ is available in all the main sizes for



adventure bikes, please see the size line up for the correct fitment for your bike or call the sales team on 01675 462264 to discuss your needs.

Tyre Size	Load Speed	Position
90/90-21 TL E-07	54T	Front
90/90-21 TL E-07 'DAKAR'	54T	Front
100/90-19 TL E-07	57T	Front
100/90-19 TL E-07 'DAKAR'	57T	Front
110/80-19 TL E-07	59T	Front
110/80-19 TL E-07 'DAKAR'	59T	Front
120/70B19 TL E-07+	60T	Front
140/80-18 TL E-07	70T	Rear
140/80-18 TL E-07 'DAKAR'	70T	Rear
150/70B17 TL E-07+	69T	Rear
150/70B17 TL E-07+ 'DAKAR'	69T	Rear
150/70B18 TL E-07+	70T	Rear
150/70B18 TL E-07+ 'DAKAR'	70T	Rear
170/60B17 TL E-07+	72T	Rear

*Other sizes of E-07 available upon request, please check with the sales team. A full range of Mitas tyres are stocked in all sizes for road, off road and race applications. Prices on request.

ACCESSORIES



Product	Description	Product Code
Beanie Hat	SMPPro Embroided Black Beanie Hat	999-BEANIE
Snapback Cap	SMPPro Embroided Snapback Cap	999-SNAPBACK
Sticker	SMPPro Sticker Pack (2L, 2M, 2S, SMPPro platinum Stickers, 2xBulldog, 2x#smproplatinum)	999-STICKER
Platinum Rinse	High Performance Wheel Wash. Fully biodegradable rapid cleaner for every part of your machine.	999-PR
SMPPro Coloured Rim Tape	Made from polypropylene, stronger and longer lastign than rubber tape. Anti-Puncture; Anti-Slippage.	
21"	21" SMPPro coloured Rim Tape	999-TC21
19"	19" SMPPro coloured Rim Tape	999-TC19
18"	18" SMPPro coloured Rim Tape	999-TC18
17"	17" SMPPro coloured Rim Tape	999-TC17
16"	16" SMPPro coloured Rim Tape	999-TC16
14"	14" SMPPro coloured Rim Tape	999-TC14
17" Supermoto	17" Supermoto wide SMPPro Coloured Rim Tape Pair	999-TCSUPER
17" Supermoto Front	17" (40 R) Supermoto front SMPPro Coloured Rim Tape	999-TCSUPER40R
17" Supermoto Rear	17" (55R) Supermoto rear SMPPro Coloured Rim Tape	999-TCSUPER55R
Rim Protectors	SMPPro Rim Protector (Pair) for use when removing or fitting tyres to prevent damage and unsightly marks	TD.028
8 in 1 Spoke Spanner	SMPPro Motorcross spoke spanner with 8 interchangeable heads-Blue	TD.015.04
6 in 1 Spoke Spanner	SMPPro Motorcross spoke spanner with 6 interchangeable heads-Blue	TD.040
Spoon Tyre Lever		TD.049
SMPPro Air Valve Cap		
Black (pair)	Valve cap in Black	TD.021.01
Gold (pair)	Valve cap in Gold	TD.021.02
Red (pair)	Valve cap in Red	TD.021.03
Orange (pair)	Valve cap in Orange	TD.030.03.06
SMPPro Fuel Vent Cap		
Blue	Vent Cap in Blue	TD.021.04
Orange	Vent Cap in Orange	TD.021.06
SMPPro Security Bolt	Designed to stop the tyre spinning on the wheel rim which can pull the valve out of the tube	
1.60 (Wm1) Security Bolt		TD.029.01
1.85 (Wm2) Security Bolt		TD.029.02
2.15 (Wm3) Security Bolt		TD.029.03
Rim Lock Kit	Black Anodised	TD.030.01
Rim Lock Kit	Gold Anodised	TD.030.02
Rim Lock Kit	Red Anodised	TD.030.03
Rim Lock Kit	Blue Anodised	TD.030.04
Rim Lock Kit	Orange Anodised	TD.030.06
Bike Lift Stand with Damper	(White), Adjustable Fitst for MX/ Enduro/ Trail bikes	TD.059
Fuel Vent Cap	Black Anodised	TD.021.01
Fuel Vent Cap	Gold Anodised	TD.021.03
Fuel Vent Cap	Red Anodised	TD.021.04
Fuel Vent Cap	Blue Anodised	TD.021.05
Fuel Vent Cap	Orange Anodised	TD.021.06

ACCESSORIES



BLING KITS

Includes: front & Rear Reservoir Caps; Engine Oil fill Plugs; Security bolt caps; Valve Caps; Brake hose Clamp & rear axle locks.

Product	Description	Product Code
Red	CRF 250 2010-on	TD.BK.59010R
Red	CRF 450 2002-2008; CRF-X 2005-on	TD.BK.59015R
Red	CRF 450 2009-on	TD.BK.59020R
Red	CRF 150 2007-on	TD.BK.59025R
Blue	YZF 250 2009-2013	TD.BK.59105U
Blue	YZF 250 2014-on, YZF 250 2015-on	TD.BK.59110U
Blue	YZF 250 2006-2009, WRF 2005-2011	TD.BK.59115U
Blue	YZF 450 2010-2013	TD.BK.59120U
Red	RMX 250 2006-on, RMZ 450 2005-on, RMX 450 2010-2013	TD.BK.59205R
Blue	KXF 250 2011-on, KXF 450 2006-on, KLX 450 2008-2009	TD.BK.59315U
Orange	SX 65 2012-2013	TD.BK.59510O
Orange	SX 65 2014-on	TD.BK.59515O
Orange	SX 85 2013-on	TD.BK.59525O
Orange	SX 125 2009-2012; EXC 125 2002-on; SX 150 2009-on; SXF 2009-2011	TD.BK.59535O
Orange	KTM EXC 500 2013, EXC 250 2006-2007, SX 250 2006-2012, EXC 300 2006-2007, EXC 350 2012-2013, EXC 450 2007-2011	TD.NK.59550O
Orange	SX 250 2013, EXC 250 2008 - on, EXC 300 2008 - on, SX 300 2006 - 2007, EXC 350 2012 - 2013, EXC 450 2007 - 2011	TD.BK.59560O
Orange	SXF 250 2014 - on, SX 250 2014 - on, SXF 450 2014 - on, EXC 500 2014 - on	TD.BK.59565O



Beanie Hat



Sticker Pack



Coloured Rim Tape



Rim Protectors



Snapback Cap



8 in 1 Spoke Spanner



6 in 1 Spoke Spanner



Spoon Tyre Lever



Air Valve Cap



Platinum Rinse



Bike Stand



Bling Kit



Rim Lock Kit



Fuel Vent Cap



Security Bolt

CONTACT DETAILS



SMPro Wheels based at
Central Wheel Components
8&9 Station Road, Coleshill, Birmingham,
B46 1HT (B46 1EE for Satnav)

Tel: 01675 462 264
Fax: 01675 466 412
Email: info@smpro.co.uk
Website: www.smpro.co.uk

Wheel House Tyres
Jack O Watton Industrial Estate, Lichfield Road,
Water Orton, Birmingham, B46 1NU

Tel: 0121 748 0000
Fax: 0121 748 0001
Email: info@wheelhousetyres.co.uk
Website: www.wheelhousetyres.co.uk

DISTRIBUTED BY:



“BUILT IN THE UK
FOR RIDERS AROUND THE WORLD”

WWW.SMPRO.CO.UK