









Rear brake disc protector	
Order number	
90-01-1215 for KXF 250, KXF 450, 2007-	
90-01-1402 for RMZ 250, RMZ 450, 2007-	
90-01-1103 for HONDA CF-R 250/450	
90-01-4021 only for KTM oversize rear with adapter 4021 CA or 4028 CA for rear brake caliper GOLD fren	
90-01-4029 for HONDA rear adapter with brake caliper GOLD fren	
90-01-4032 for YAMAHA rear adapter with brake caliper GOLD fren	
90-01-4037 for HUSQARNA rear adapter with brake caliper GOLD fren	
90-01-4038 for KTM SX 85 rear adapter with brake caliper GOLD fren	
90-01-4043 for SUZUKI RM 85 rear adapter with brake caliper GOLD fren	


Fork plug key	
Order number	
90-02-1216 key 50 mm, octagon for forks Kayba, Showa (např. KXF 250, KXF 450 - 2007, RMZ 250/450 – 2007)	
90-02-1215 key 50 mm, hexagon for forks KTM	


Duster for floating peg of caliper		
Order number		
90-50001 dead end – long	Goldfren long dust-seal. Rubber sleeve for rear and front floating caliper on enduro and dirtbikes.	
90-50003 continuous - small	Goldfren long dust-seal. Rubber sleeve for rear and front floating caliper on enduro and dirtbikes.	


Silicone o-ring for caliper		
Order number		
90-50004	ø 25 Silicone o-ring for caliper – ø 25 mm “caliper.NISSIN new”	<div style="border: 1px solid black; padding: 2px; display: inline-block;">ø 25 mm</div> 
	ø 25 mm is determined according to diameter of piston in calliper. Diameter 25 mm is suitable for calliper NEW NISSIN REAR e.g. type BO 187,176 (YZF,KXF,RMZ,CRF, rear) and for GOLDfren calliper.	
90-50006	ø 26 Silicone o-ring for caliper – ø 26 mm “KTM rear”	<div style="border: 1px solid black; padding: 2px; display: inline-block;">ø 26 mm</div> 
	ø 26 mm mm is determined according to diameter of piston in calliper. Diameter 26 mm is suitable for KTM rear calliper e.g. for brake pad type 191.	
90-50005	ø 27 Silicone o-ring for caliper – ø 27 mm “old caliper NISSIN”	<div style="border: 1px solid black; padding: 2px; display: inline-block;">ø 27 mm</div> 
	ø 27 mm. is determined according to diameter of piston in calliper. Diameter 27 mm je is suitable for calliper OLD NISSIN REAR e.g. for type 003,... (KX,rear) and front NEW NISSIN (e.g.. 041) with the diameter 27 mm.	
90-50009	ø 28 Silicone o-ring for caliper – ø 28 mm “KTM front”	<div style="border: 1px solid black; padding: 2px; display: inline-block;">ø 28 mm</div> 
	ø 28 mm. is determined according to diameter of piston in calliper. Diameter 28 mm je is suitable for calliper KTM FRONT e.g.. for brake pad type 031.	


Silicon seal for rear brake caliper is compatible with most of japanese enduro and dirtbikes


Bellows for repair kit		
Order number		
90-50002	ø 11 mm	
	Bellow NISSIN – front pump: YZ-F, RM-Z, KX-F and KTM 65, for rear: RM 85, RM-Z , YZ-F	
90-50007	ø 9,5 mm	
	Use for NISSIN – front: KTM 85 ccm and for rear: CR-F rear	
90-50008	ø 12,5 mm	
	User for NISSIN (BREMBO) rear - KX-F, KTM , KTM 65/85, RM 85	


Pins for caliper	
Order number	
90-15-5006	
Pin for caliper KXF - front	
90-15-5012	
Pin for caliper RMZ, YZF – front	
90-15-5013	
Pin for rear caliper KXF and rear brake caliper GOLDfren	



Cotter for caliper	
Order number	
90-15-5007	


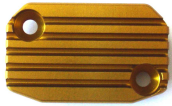
Spring for caliper	
Order number	
90-15-5011	


Seat support	
Order number	
90-15-5009	
<ul style="list-style-type: none"> - duralumin seat support for off-road bikes - coloured anodizing of customers choice - KX-F 250,450 - 2008 	


Chain guideline CNC Al	
Order number	
90-15-5001 for KXF	
90-15-5002 for WR	
<p>Chain guideline is made of special duralumin with side thickness 6 mm. This material provides better quality and stability to the guideline.</p>	

Duralumin fork for rear brake lever	
Order number	
90-15-5021	

Brake fluid bleeder	
Order number	
90-03-508 brake fluid bleeder large	
Spare sealing for brake fluid bleeder 90-03-508	
Spare ending	

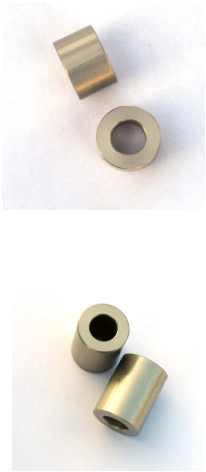
Cup for the front brake pump	
Order number	
90-15-5010 for Kawasaki	
90-15-5021 for KTM	
<ul style="list-style-type: none"> - racing performance brake pump cup - the GOLD fren dural cup is made to the highest quality by CNC technology - fits most new models of Japanese off road M/C models.(Kawasaki, Suzuki, Yamaha) - coloured anodizing of customers choice 	

Fork end	
Order number	
70-03-503	


Radial brake caliper GOLDfren	
Order number	
70-03-301	
Radial four-piston brake caliper MONOBLOCK for street motorbikes - racing universal design. It is suitable for discs of diameter 250-330 mm/ of thickness 5-6 mm. Piston diameters are 36 mm and 32 mm, distance between screws that hold caliper on the fork is 108 mm, its weight is 800 g. Caliper is made of special duralumin. Caliper is standardly made in golden colour and is supplied together with brake pads type 301. It is also suiting for supermoto use in the case of using adapter.	

Adapter for supermoto for GOLDfren radial caliper	
Order number	
Adapter 4044 CA for brake caliper 70-03-301 for RMŽ 450 - Supermoto	
Adapter 4044 CA for brake caliper 70-03-301 for KXF 250/450- Supermoto	
Adapter 4047 CA for brake caliper 70-03-301 for YZF 250/450 - Supermoto	
Adapter 4048 CA for brake caliper 70-03-301 for CRF 250/450 - Supermoto	

Spacer for KTM 85, 2012-	
Order number	
4030-20 SP	Spacer 20 mm for front brake caliper for brake disc Ø 260 mm for disc 7555F.
4030-10 SP	Spacer 10 mm for front brake caliper for brake disc Ø 240 mm for disc 7556F.



Front GOLDfren caliper for off-road
Order number
70-03-041
Two-piston brake caliper is made by CNC-technology from duralumin of the highest quality used in the aircraft industry. This brake caliper fits to all the Japanese motorcycles with standard brackets and with brackets for oversize brake discs. GOLDfren front caliper is supplied with brake pads reference no. 041.



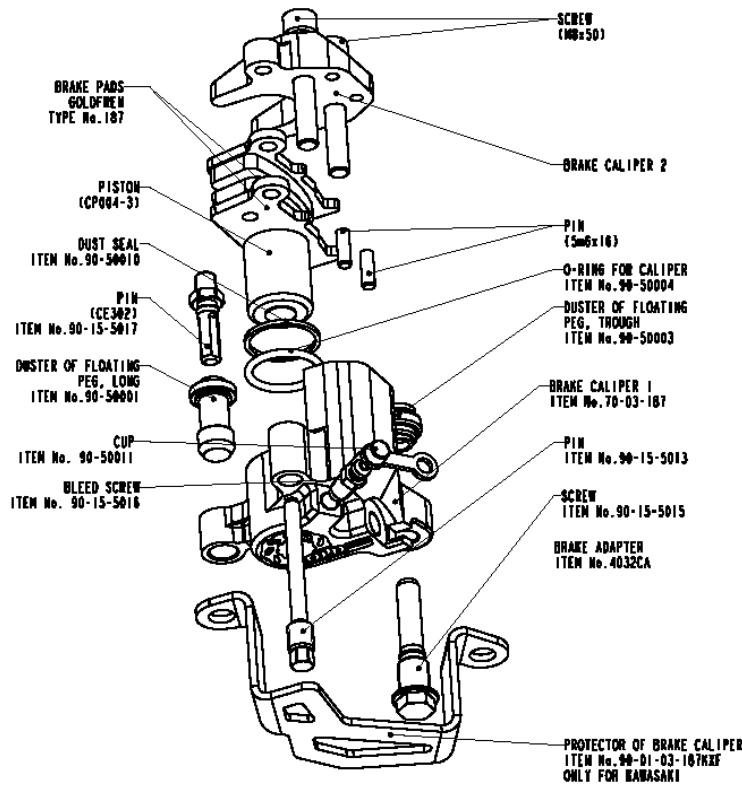
Rear brake caliper GOLDfren
Order number
70-03-187
Rear one-piston brake caliper suitable for most new Japanese Kawasaki, Suzuki, Honda and Yamaha dirtbikes. Piston diameter is 25,3 mm and weight is 450 g.
Rear brake caliper protector GOLDfren for KXF
Order number
90-01-03-187 KXF
Use only for KXF, colour anodizing of customers choice.





Scheme of the rear brake caliper GOLDfren for KAWASAKI, SUZUKI

GOLDfren REAR BRAKE CALIPER WITH PROTECTOR



**KAWASAKI KX/KX-F 125-450 /03-
SUZUKI RM-Z 250 /04-
RM-Z 450 /05-**

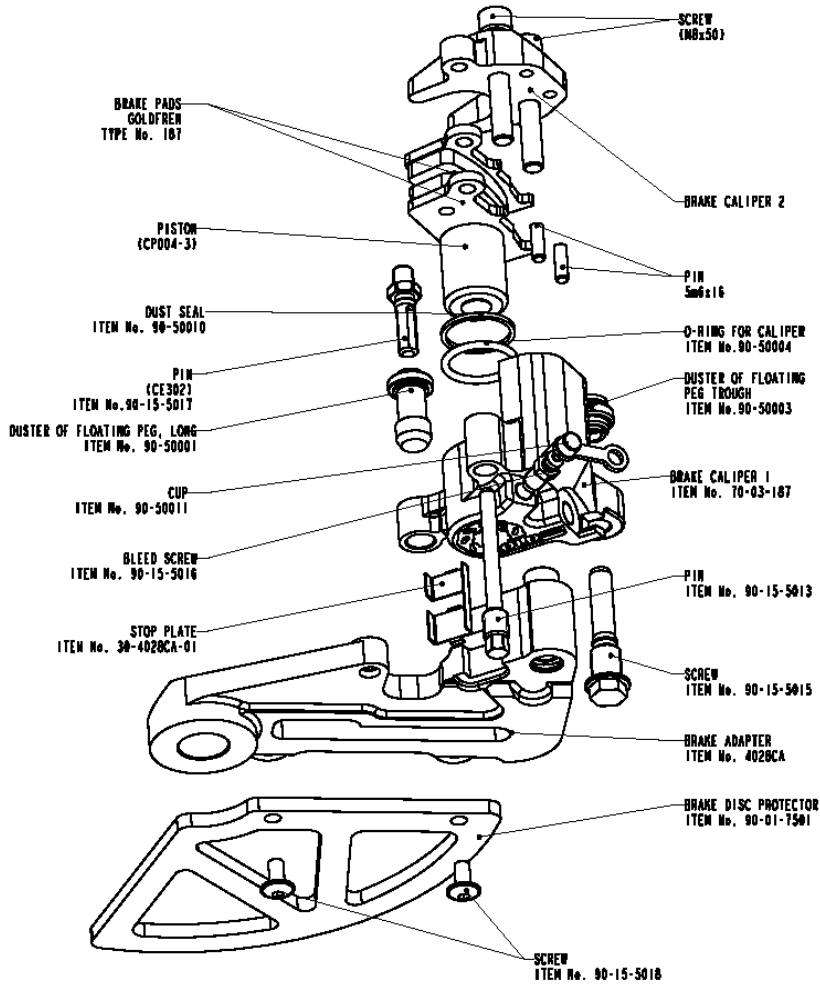


Spare parts for rear brake caliper GOLDfren

Part	Order number			
Duster – dead end – long	90-50001			
Duster – continuous - small	90-50003			
Screw	90-15-5015			
Screw	90-15-5013			
Pin	90-15-5017			
Bleed screw	90-15-5016			
Cup for bleed screw	90-50011			
O-ring for caliper ø 25 mm	90-50004			
Dustseal	90-50010			
Clip	90-15-5022			

Scheme of the rear brake caliper GOLDfren for KTM

GOLDfren REAR BRAKE CALIPER WITH ADAPTER AND PROTECTOR



KTM SX/EXC 125-530 /99-

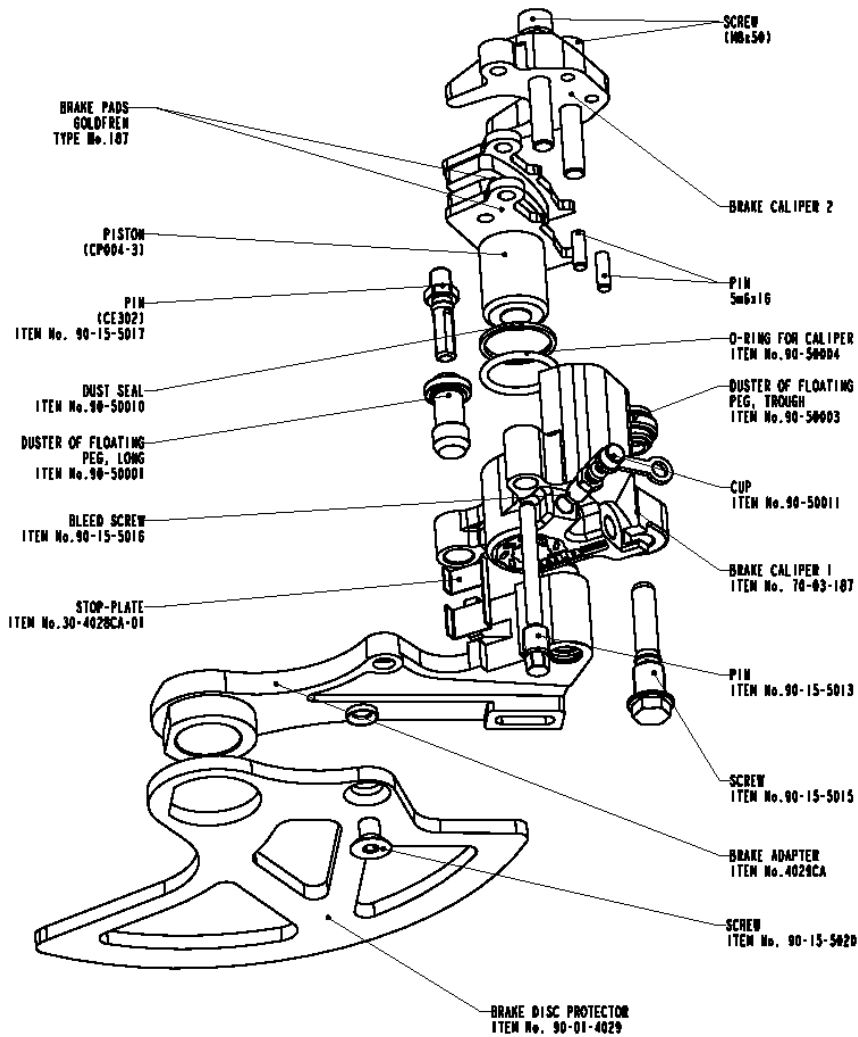


Accessories for rear brake caliper GOLDfren for KTM

Part	Order number			
Adapter	4028 CA			
Stop plate for adapter	30-4028 CA-01			
Rear brake disc protector	90-01-7501			
Screw for rear brake disc protector	90-15-5018			

Scheme of the rear brake caliper GOLDfren for HONDA

GOLDfren REAR BRAKE CALIPER WITH ADAPTER AND PROTECTOR



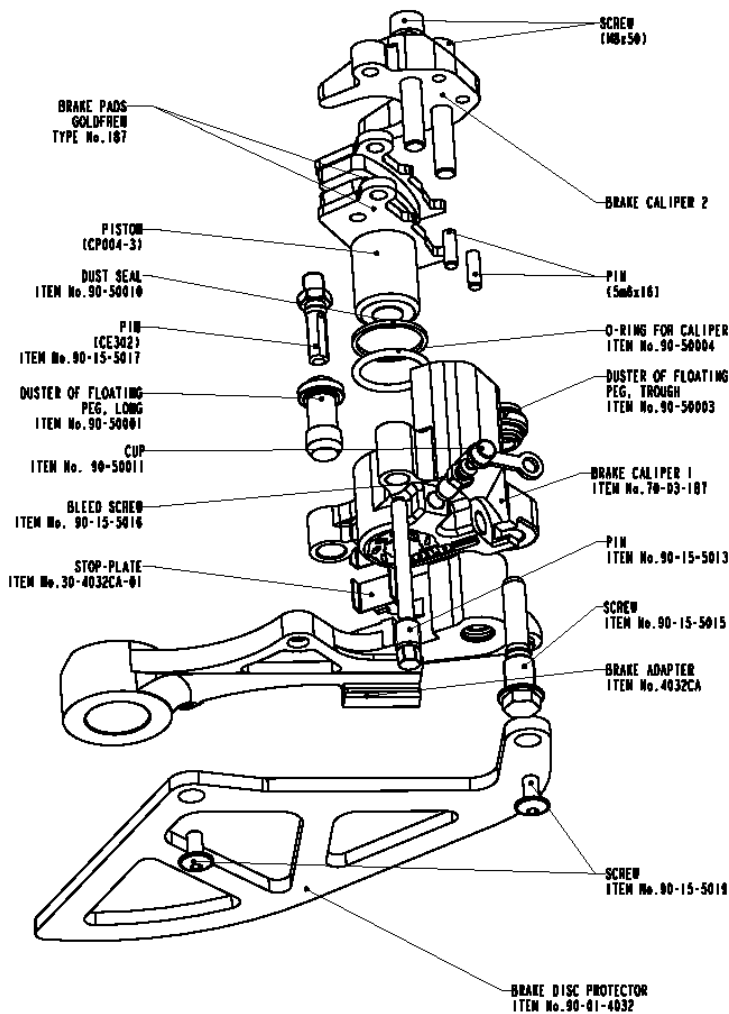
HONDA CR/CRF 125-450 /02-

Accessories for rear brake caliper GOLDfren for HONDA

Part	Order number			
Adapter	4029 CA			
Stop plate for adapter	30-4029 CA-01			
Rear brake disc protector	90-01-4029			
Screw for rear brake disc protector	90-15-5020			

Scheme of the rear brake caliper GOLDfren for YAMAHA

GOLDfren REAR BRAKE CALIPER WITH ADAPTER AND PROTECTOR



YAMAHA YZ/WR 125-450 /09-



Accessories for rear brake caliper GOLDfren for YAMAHA

Part	Order number			
Adapter	4032 CA			
Stop plate for adapter	30-4032 CA-01			
Rear brake disc protector	90-01-4032			
Screw for rear brake disc protector	90-15-5018			